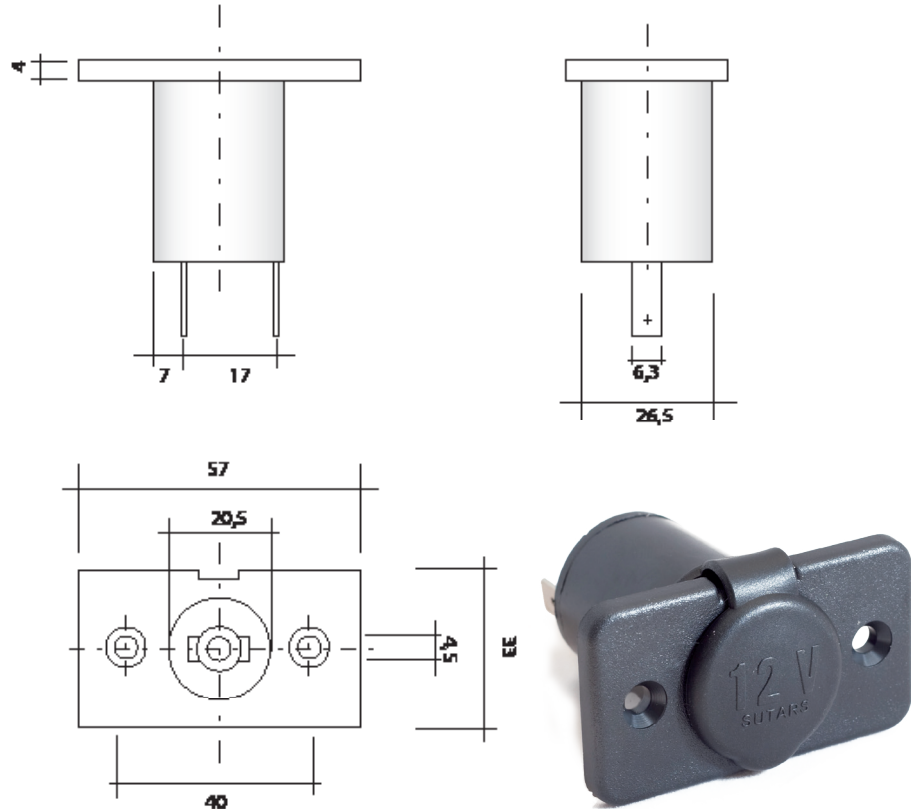


## 1206, Socket - Flush mounting, rectangular flange.



Article no: 1206  
EAN code: 7331817012065  
Description: Socket - Flush mounting, rectangular flange, Relief "12 V" in lid.  
Color: Black  
Max current: 16 A  
Max voltage: 50 V  
Weight: 23,0 g  
Connections: 6,3 mm push on terminals  
Front plate: 57 x 33 mm  
Drill hole: Ø 27 mm  
Material: Santoprene 121-62M100  
Styrolution PS 495N  
Nickel-plate brass

Country of origin: Sweden

Other information: RoHS directives are met  
REACH directives are met  
Not UL approved