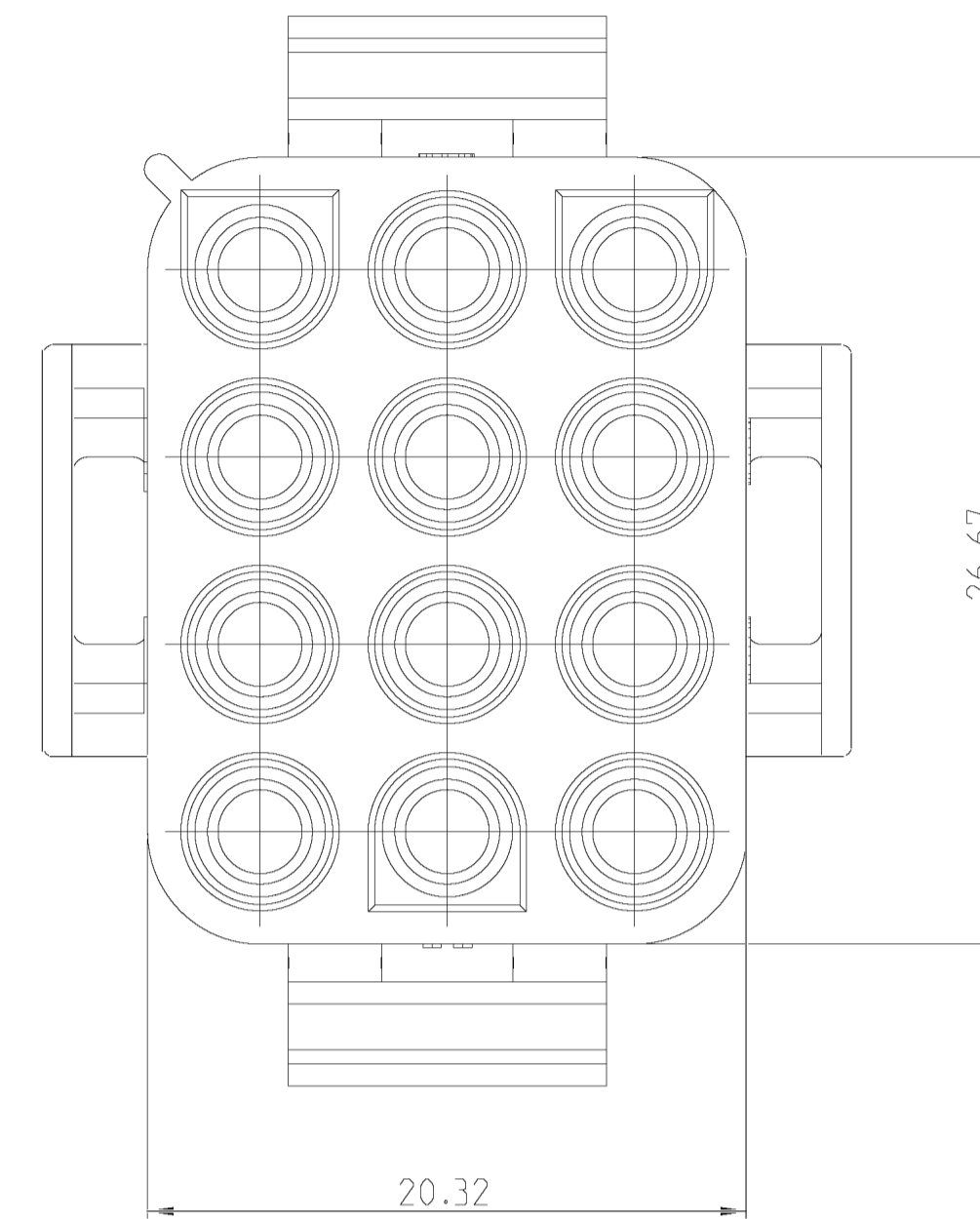
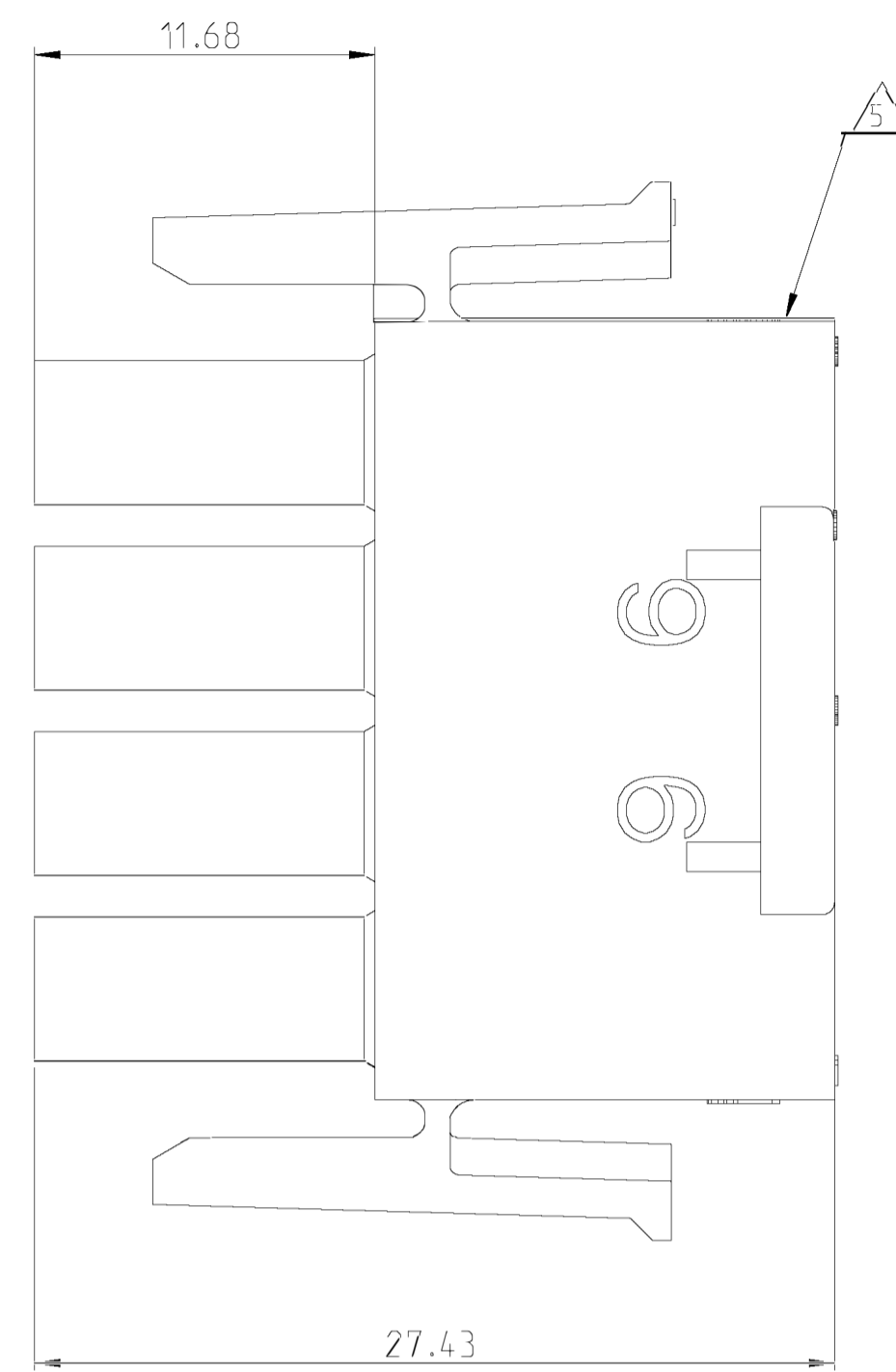
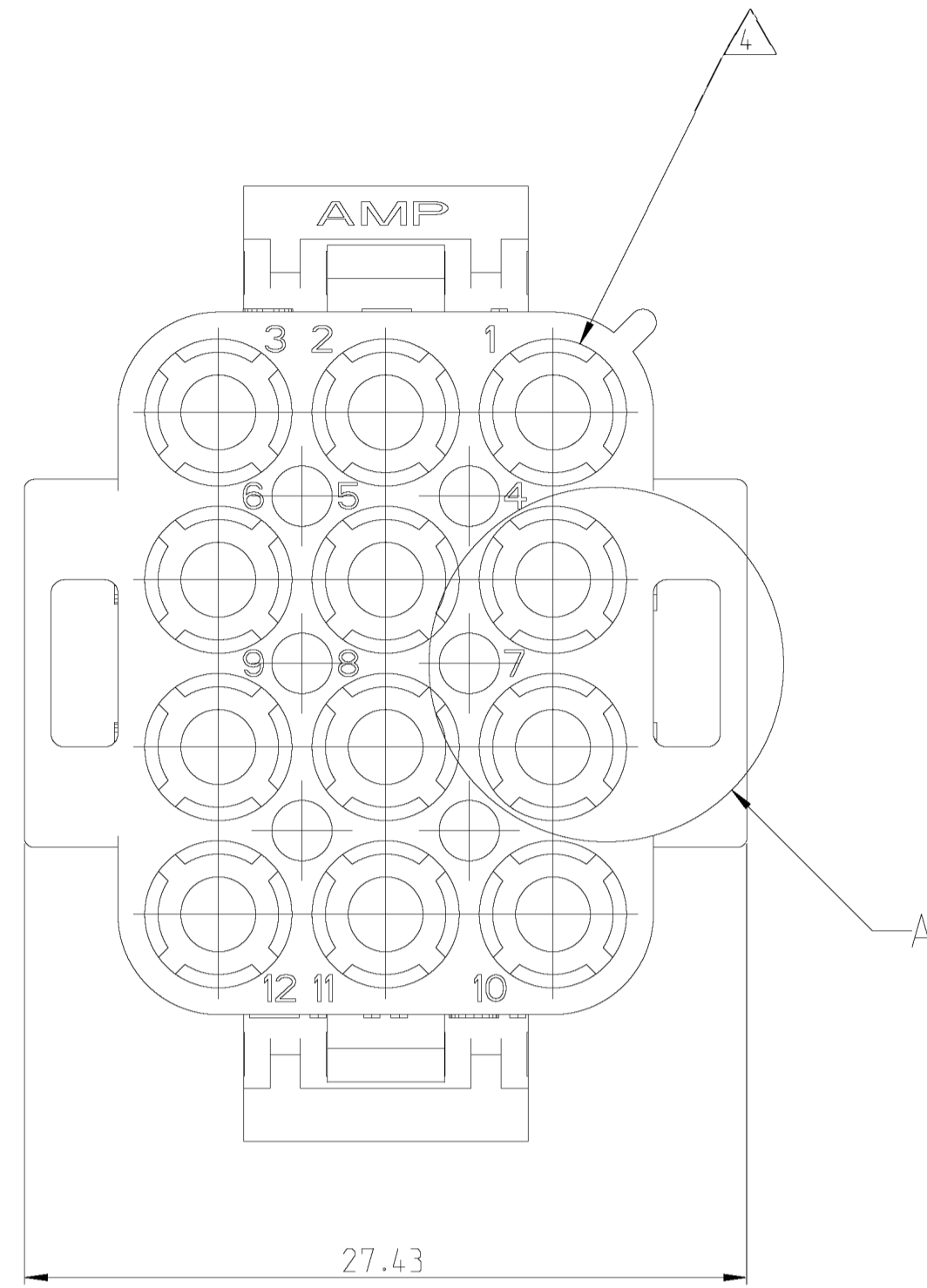
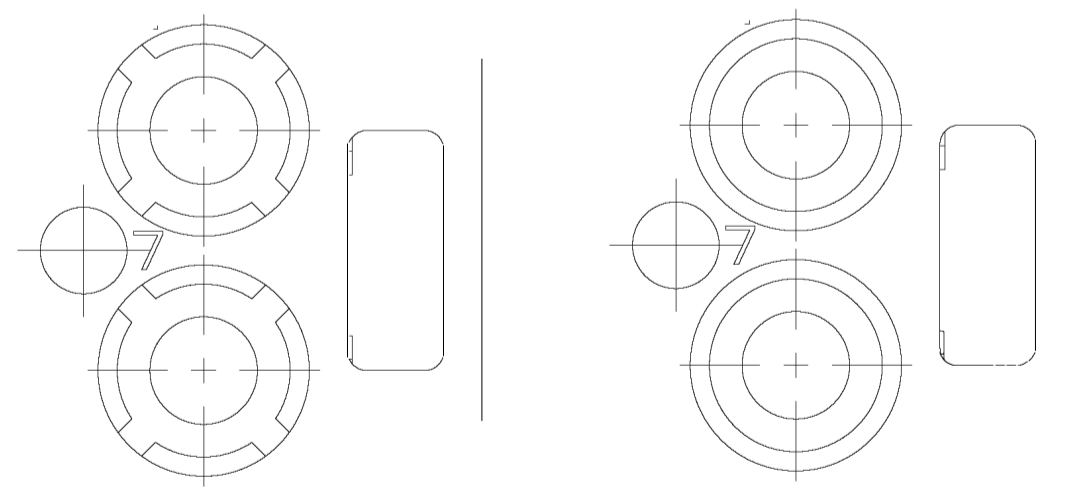


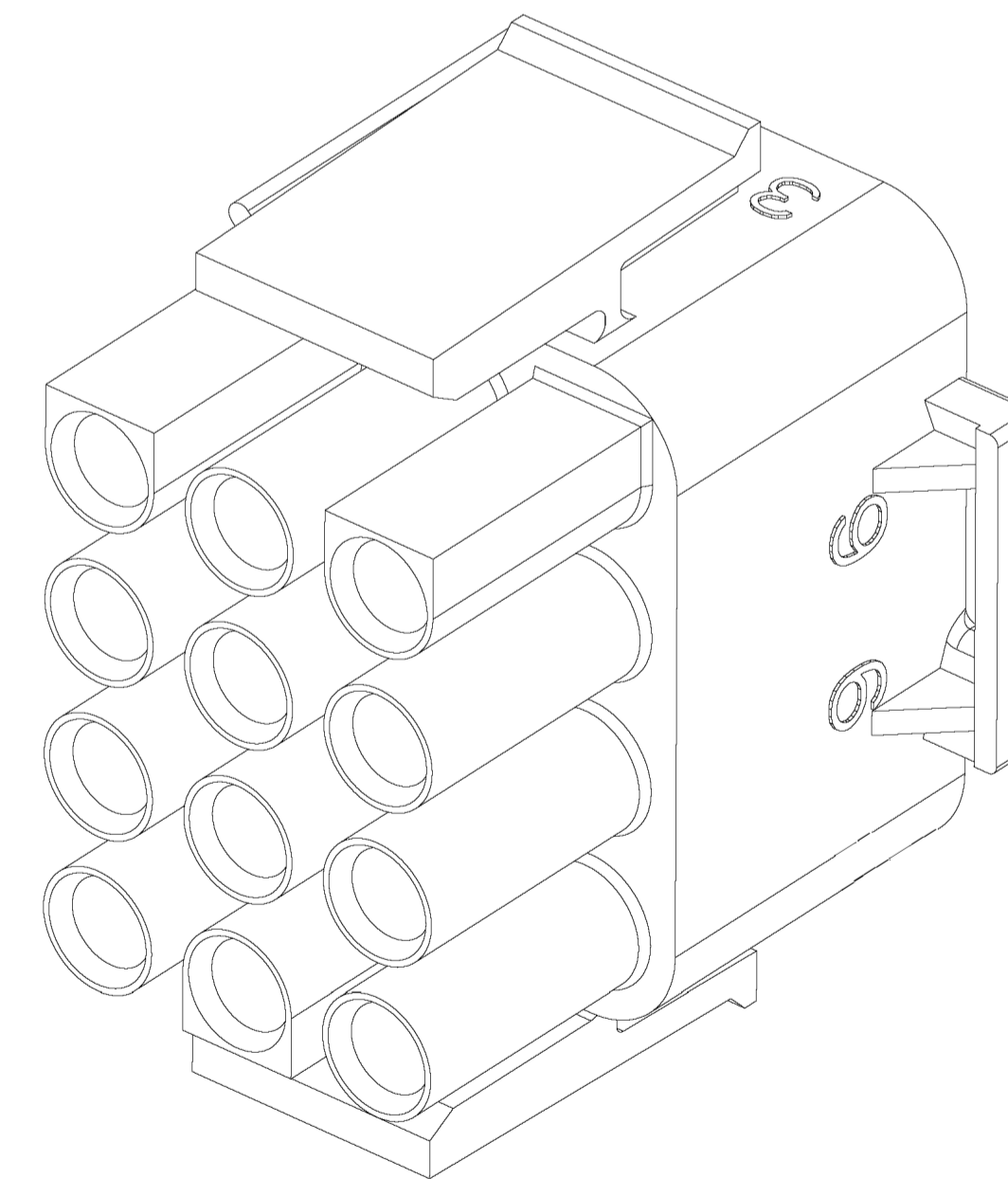
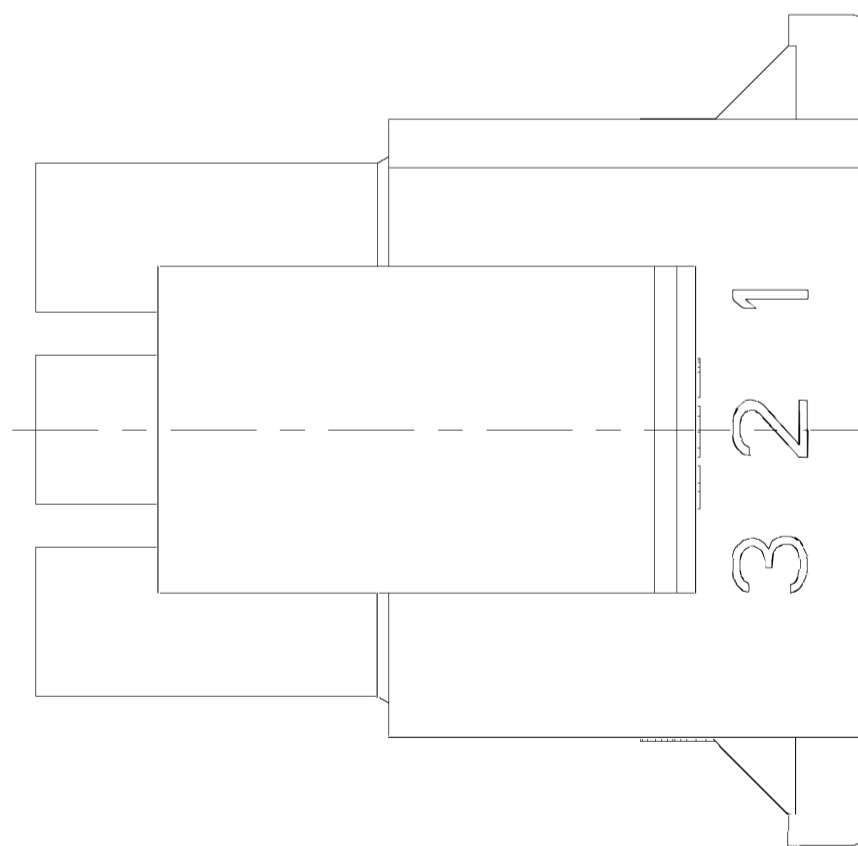
REVISIONS				
REV	DATE	DESCRIPTION	BY	APPD
AP3	28JUN2017	REVISED PER ECR-17-008392	BW	KR
AP4	1NOV2021	REVISED PER ECR-21-120286	SS	VS



- MATES WITH APPROPRIATE UNIVERSAL MATE-N-LOK CAP OR HEADER.
- SMALL NICKS ARE PERMITTED ON THE CIRCUIT TOWERS WHICH COULD INCREASE THE INITIAL HOUSING MATING FORCE BY UP TO 4.4 NEWTONS (1.0 LBS). NO INDIVIDUAL NICKED TOWER SHALL INCREASE THIS FORCE BY OVER 2.2 NEWTONS (1.5 LBS).
- DIMENSIONS SHOWN REPRESENT PRODUCT IN DRY, AS MOLDED, CONDITION. ADDITIONAL 2% GROWTH DUE TO SUBSEQUENT MOISTURE ABSORPTION MAY OCCUR AND SHOULD BE ACCOUNTED FOR.
- FOUR RIBS EQUALLY SPACED, NO SPECIFIC ORIENTATION. NO RIBS OR SIX RIBS EQUALLY SPACED, NO SPECIFIC ORIENTATION, OPTIONAL.
- UNDERWRITERS RECOGNIZED COMPONENT LOGO AND CSA CERTIFICATION LOGO TO BE LOCATED ONCE EACH ON SIDE OF HOUSING.
- OBsolete PARTS: OBSOLETE C'S STREAMLINING PER D.RENAUD/D.SIN/SI'



DETAIL A
OPTIONAL CONSTRUCTION

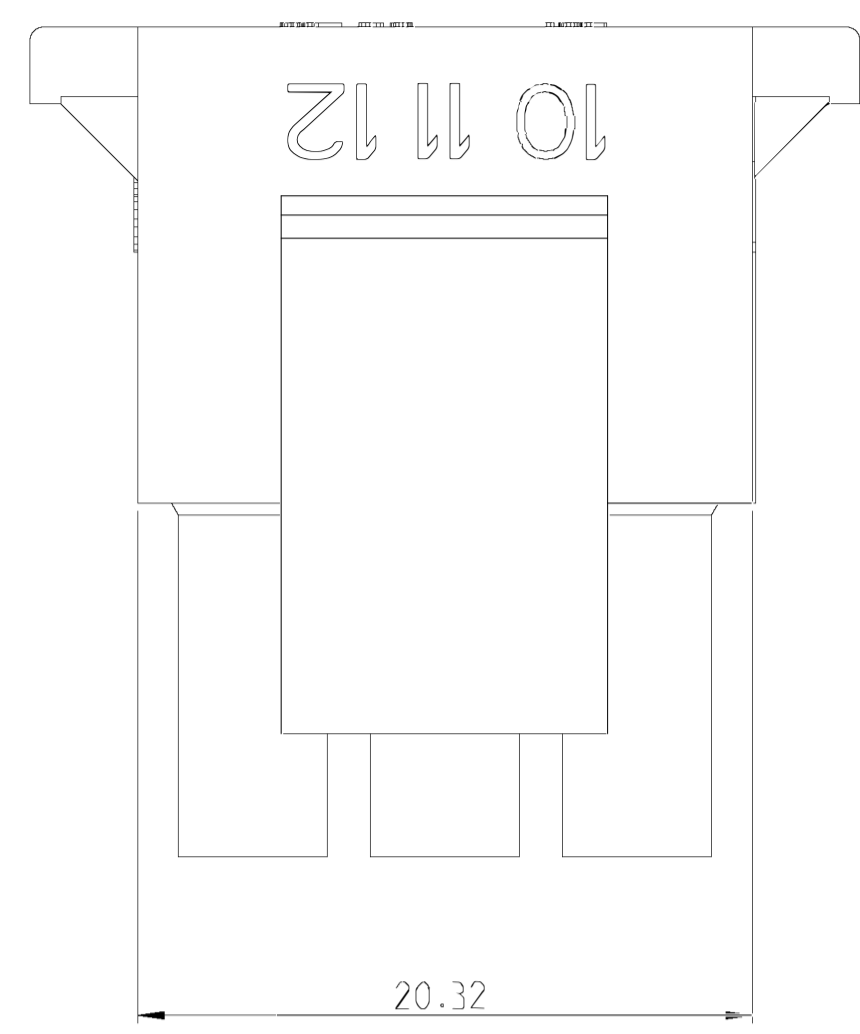


3-DIMENSIONAL MODEL
NTS

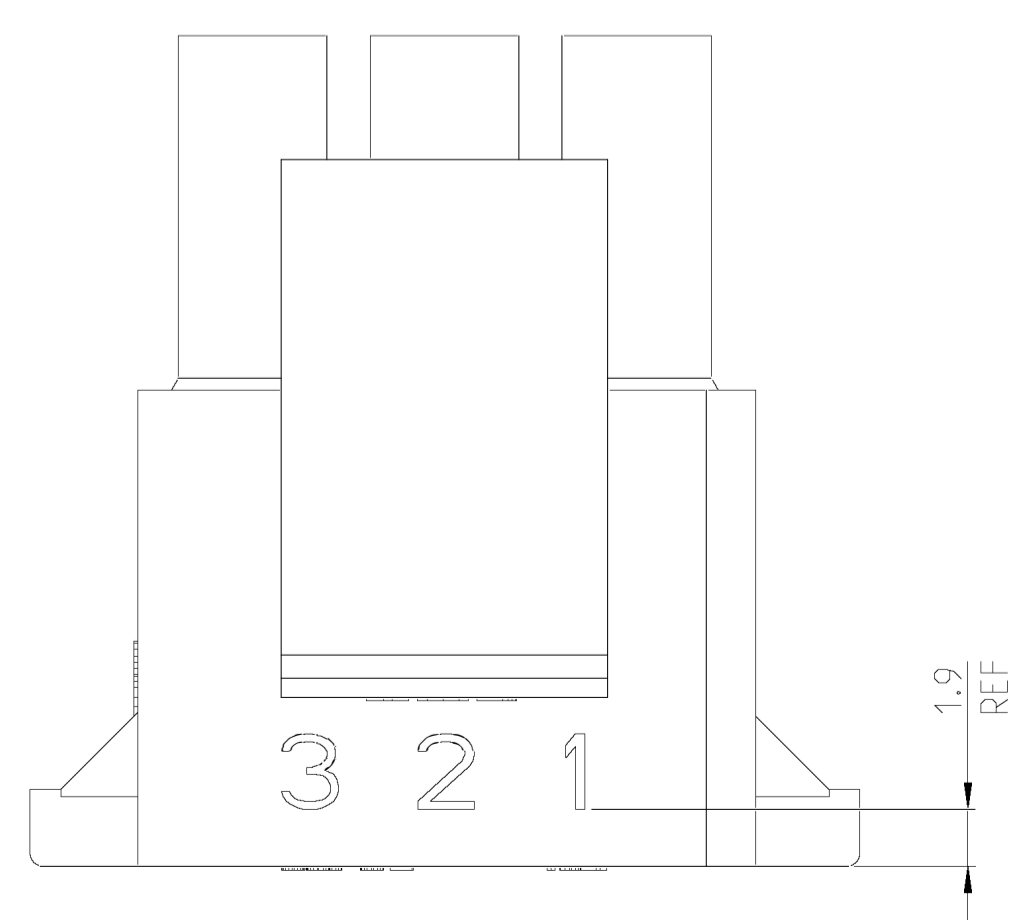
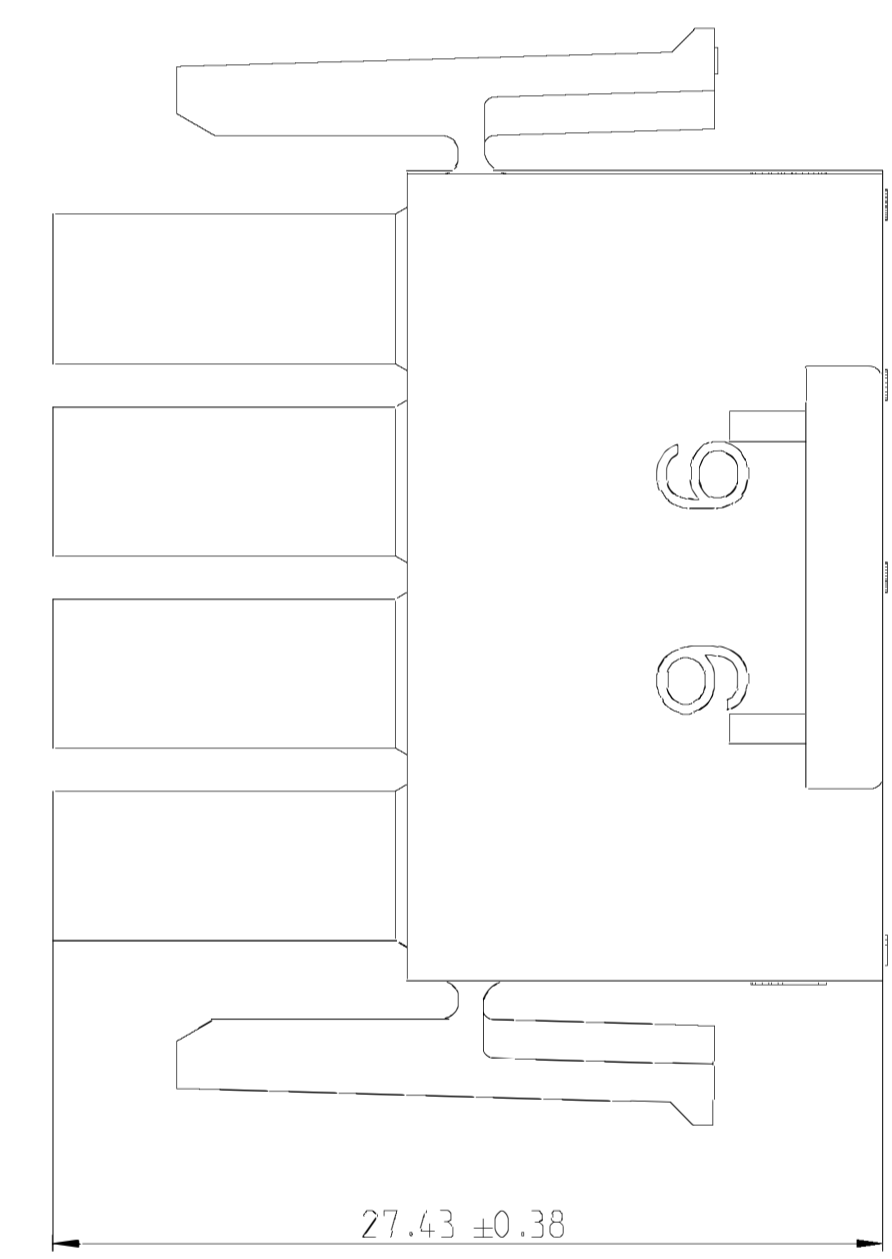
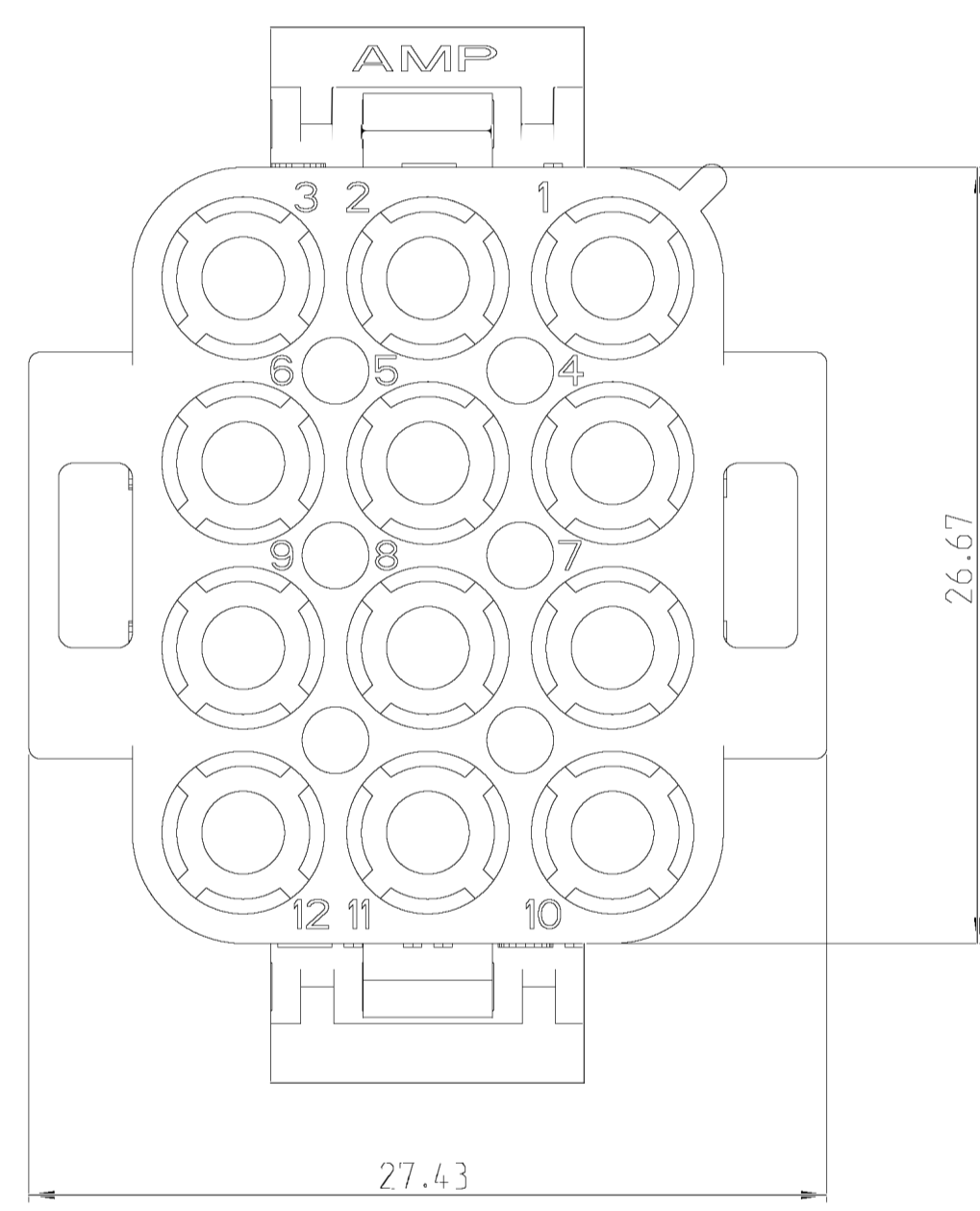
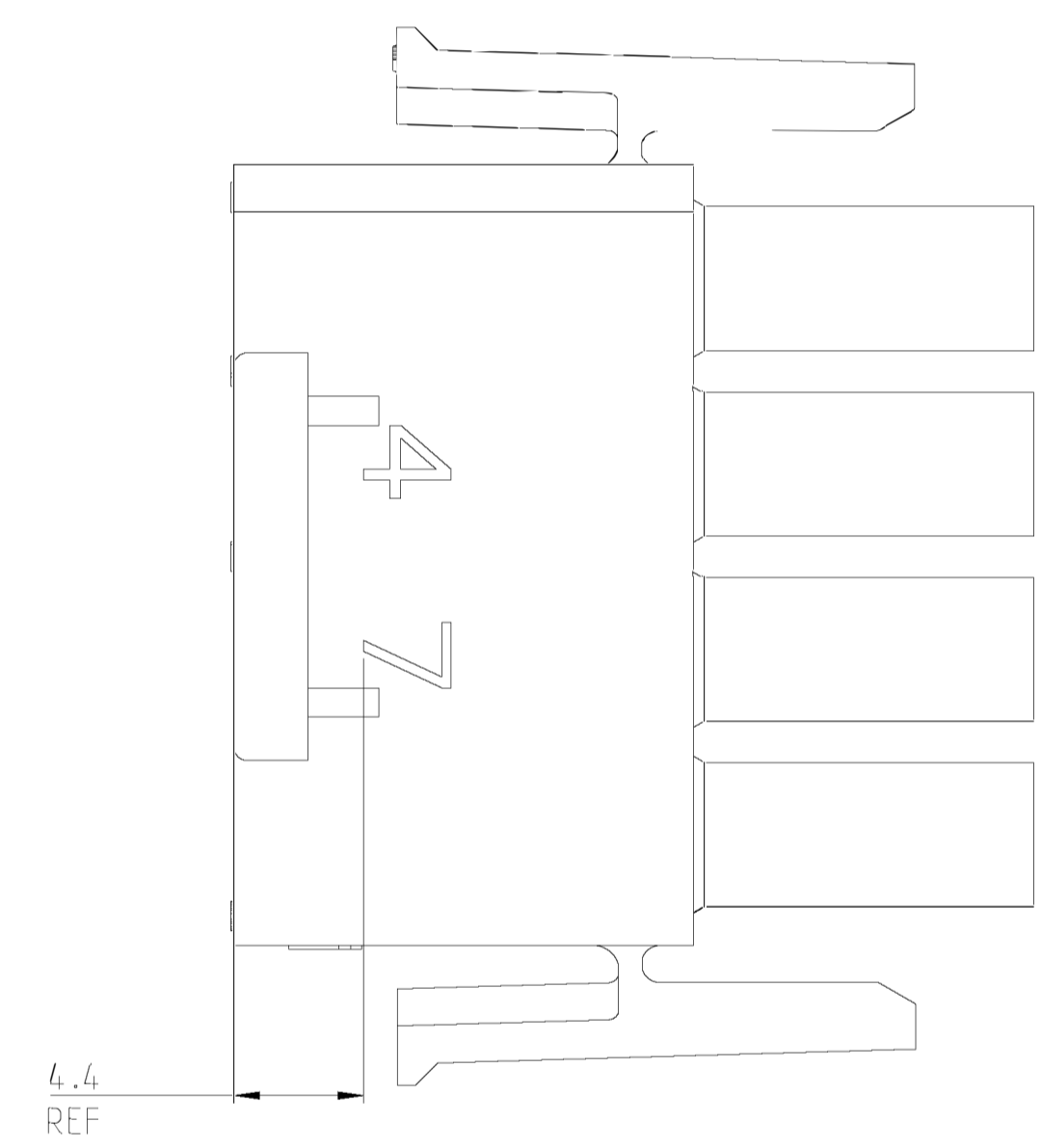
	BLACK	1-480708-9
6	OBsolete	GRAY
	GRAY	1-480708-8
	OBsolete	VIOLET
	VIOLET	1-480708-7
6	OBsolete	BLUE
	BLUE	1-480708-6
6	OBsolete	GREEN
	GREEN	1-480708-5
	YELLOW	1-480708-4
6	OBsolete	ORANGE
	ORANGE	1-480708-3
	RED	1-480708-2
6	SUPERSEDED BY 1-480708-0	BROWN
	BROWN	1-480708-1
	NATURAL	1-480708-0
	COLOR	PART NUMBER

THIS DRAWING IS A CONTROLLED DOCUMENT.		DWN K. WHITAKER 01SEP2004	TE Connectivity	
DIMENSIONS: mm		CHK S. RIDGILL 01SEP2004	NAME PLUG, 12 CIRCUIT, UNIVERSAL MATE-N-LOK	
TOLERANCES UNLESS OTHERWISE SPECIFIED:		APVD S. RIDGILL 01SEP2004	SIZE 00779	
0 P.L.C.	±	PRODUCT SPEC	DRAWING NO 480708	
1 P.L.C.	±	APPLICATION SPEC	SHEET 1 OF 2	
2 P.L.C.	±0.13	WEIGHT	SCALE 4:1	
3 P.L.C.	±	CUSTOMER DRAWING	REVISIONS	
4 P.L.C.	±		REV APL	
ANGLES	±0°10'			
FINISH	-			

REVISIONS				
REV	DATE	DESCRIPTION	BY	APPD
-		SEE SHEET 1	-	-



- 1 STAMP NUMBERS 3.18 HIGH AT WIRE END OF HOUSING (12 POINT DAVID TYPE).
- 2 CHARACTERS TO BE POSITIONED ON HOUSING TO BE READ FROM WIRE END ONLY.
- 3 VIOLET, BLACK, BROWN, AND BLUE COLORED BLOCKS TO BE STAMPED WITH WHITE CHARACTERS. ALL OTHER COLORED BLOCKS TO BE STAMPED WITH BLACK CHARACTERS.



NATURAL	2-480708-0
COLOR	PART NUMBER

THIS DRAWING IS A CONTROLLED DOCUMENT.		DWN K. WHITAKER 01SEP2004	 TE Connectivity
DIMENSIONS: mm		CHK S. RIDGILL 01SEP2004	
TOLERANCES UNLESS OTHERWISE SPECIFIED: 0 P/LC ± 1 P/LC ± 2 P/LC ±0.13 3 P/LC ± 4 P/LC ± ANGLES ±0°10'		APPD S. RIDGILL 01SEP2004	NAME PLUG, 12 CIRCUIT, UNIVERSAL MATE-N-LOK
MATERIAL NYLON, UL 94V-2		PRODUCT SPEC	SIZE CAGE CODE DRAWING NO
FINISH		APPLICATION SPEC	RESTRICTED TO
		WEIGHT	A 00779 C-480708
		CUSTOMER DRAWING	SCALE 4:1 SHEET 2 OF 2