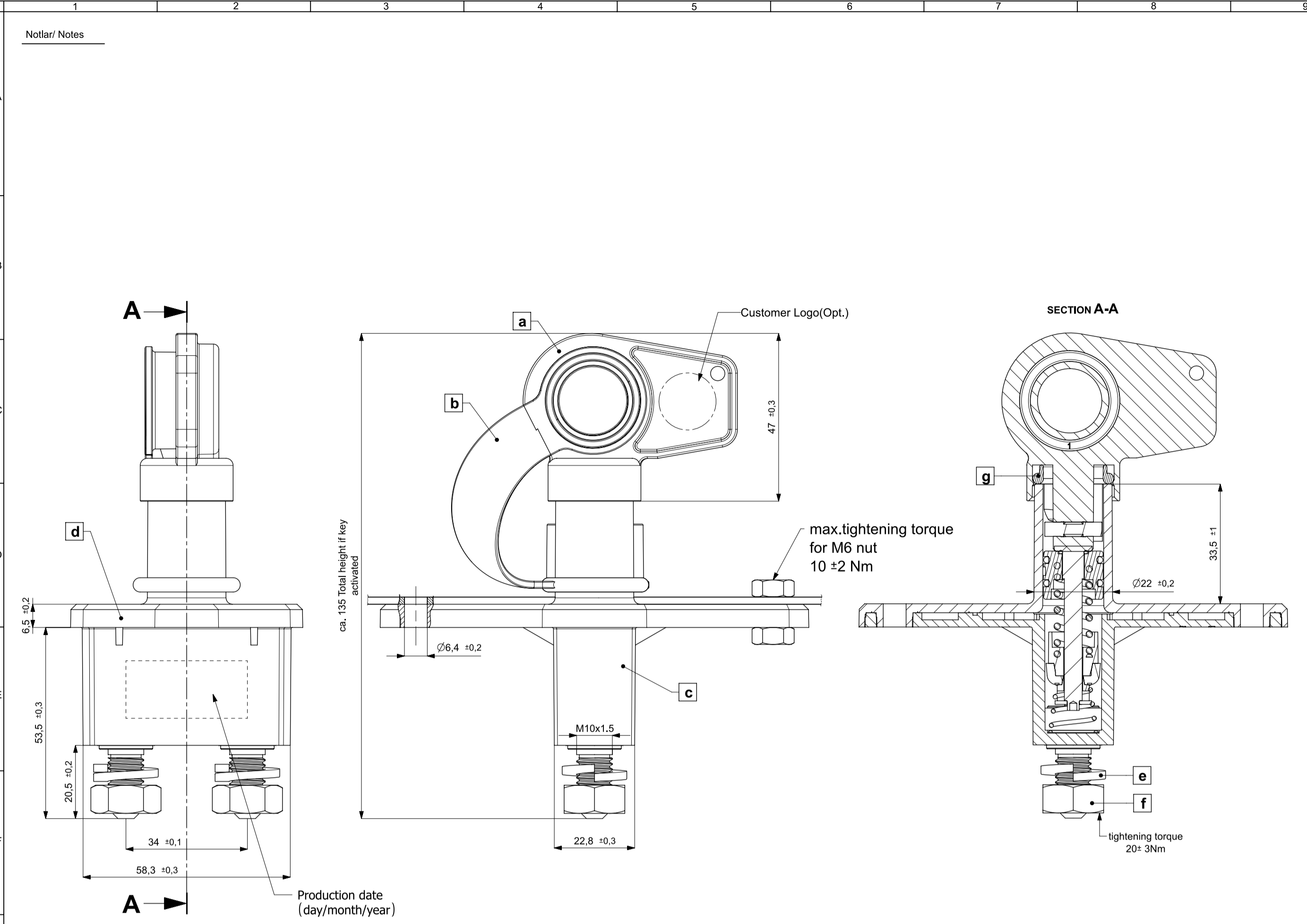


Notlar/ Notes



- * Electrical life : 5000 cycles @50A
- * Mechanical life : 10000 cycles
- * Operation temp. : from -40°C to +85°C
- * Key torque : max. 1,6Nm
- * Total operation angle : 103° ± 2°
- * IP Protection class : IP69K

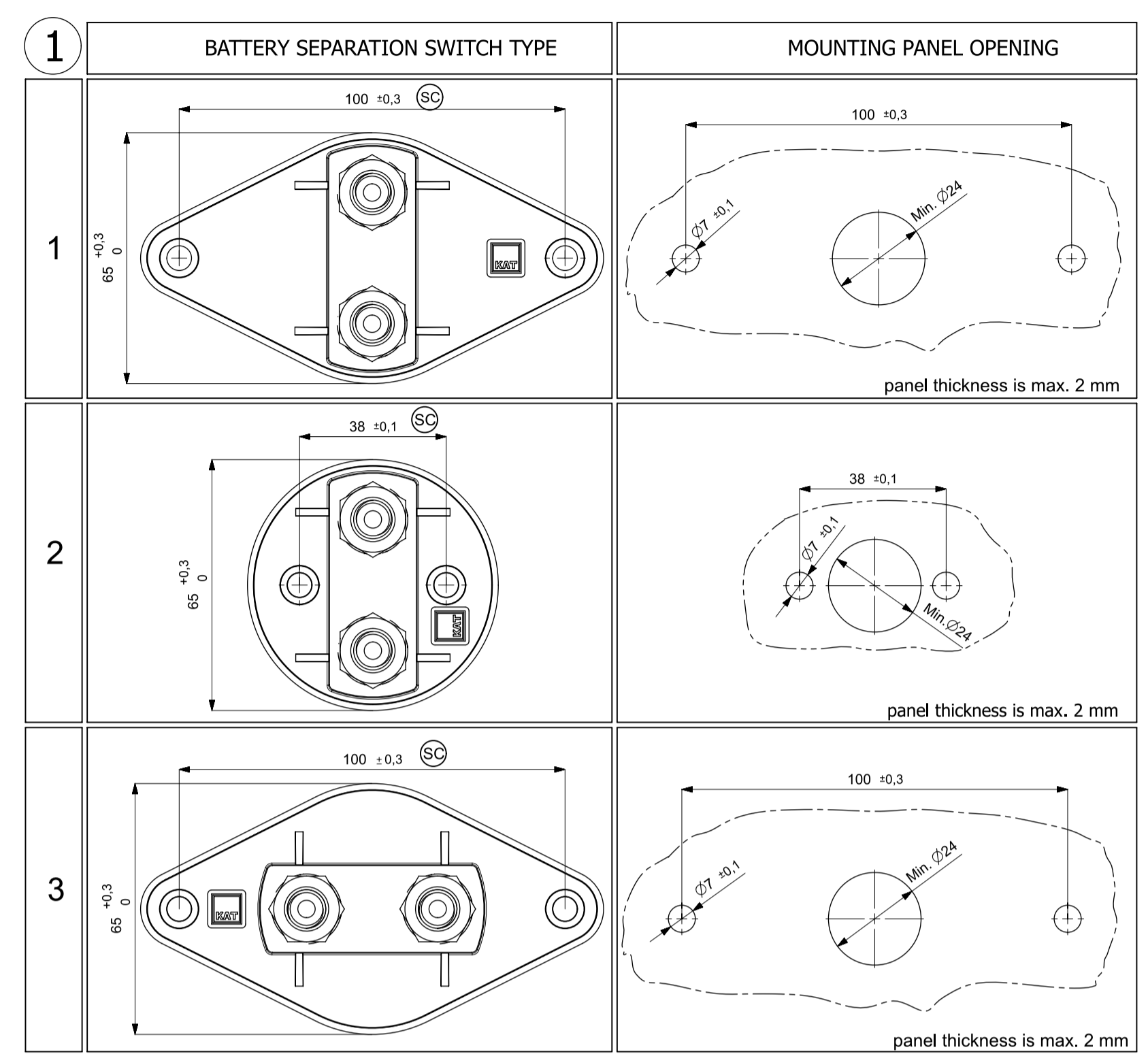
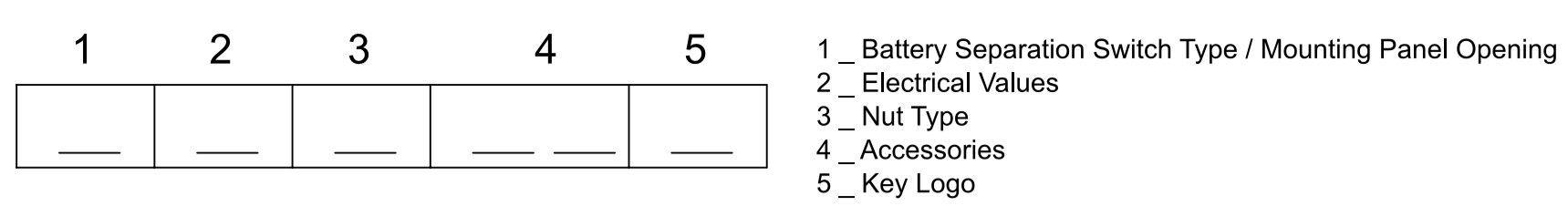
Item	Designation	Material	Color	Weight (g)
a/a*	Key (Std./ Lockable opt.)	PA6 GF30	Red	18,2 / 22
b	Protection cap	PVC	Black	9,4
c	Base (Oval/Round)	PC GF20 (UL94 V-0)	Grey	95,3 / 89,75
d	Body (Oval/Round)	PC GF20 (UL94 V-0)	Black	26,7 / 19,8
e	Washer (DIN 127)	A2-60/70 XN	N/A	2,3
f	Nut	A2-60/70 XN	N/A	9,9
g	O-ring	NBR	N/A	6,1
h	Lock ON-OFF	PA6 GF30 (UL94 V-0)	Black	17,6
i	Lock OFF	PA6 GF30 (UL94 V-0)	Black	16,1

Delivery Volume		
Item	Designation	Number
1	Battery Separation Switch	1
2	Key	1
3	Protection cap	1
4	Washer	2
5	Nut	2 or 4 (Optional)

SPARE PARTS

Part	Description	Part No.
33648	Key (Std./ Lockable opt.)	33648
36510	With KAT Logo Without padlock	36510
36511	Without Logo Without padlock	36511
36503	With KAT Logo With padlock	36503
36504	Without Logo With padlock	36504
36507	With KAT Logo With padlock	36507
36508	Without Logo With padlock	36508
ASK.	Customer Specific	ASK.

ORDERING SCHEME



* Product fulfills requirements best when it is mounted underneath panel.

2 ELECTRICAL VALUES

(WITH ACTIVATION UNDER LOAD)

Max.Voltage	: 24V
Continuous load	: 250A
Short term	: 2500A for 5 sec.
Can be activated	: max.50 times under load 250A
Voltage drop	: max.20 mV under 250A
Connection bolt material	: CuZn39+Ag plated (3 micron)
Contact material	: AgCu3
Connection bridge material	: Cu+Ag plated (3 micron)

(WITHOUT ACTIVATION UNDER LOAD)

Max.Voltage	: 24V
Continuous load	: 250A
Short term	: 2000A for 5 sec.
Voltage drop	: max.20 mV under 250A
Connection bolt material	: CuZn39
Contact material	: Cu
Connection bridge material	: Cu

3 NUT TYPE

Item	Designation	Quant.
1	(DIN 934)	2
2	(DIN 439)	4

5 KEY LOGO

1	Without Logo
2	With KAT Logo
3	Customer Specific

Rev. No.	Konu / Section	Tarih / Date	İsminin / Name	Revizyon / Revision	Revizyon / Revision Description	Talep / Order No.
a	N/A	14.05.2007	Y.BUYUKODERELI	Yeni adres, fonksiyonel çizim sistemine geçilmiştir.	N/A	N/A
b	N/A	20.02.2008	Y.BUYUKODERELI	Malzeme bilgileri değiştirilmiştir.	N/A	N/A
c	N/A	21.01.2011	F.ERKAT TUTANAR	Yeni malzeme ve malzeme bilgileri eklenmiştir.	N/A	N/A
d	N/A	10.11.2011	F.KARABULUT	Technical drawing updated	N/A	N/A
e	N/A	07.12.2014	F.KARABULUT	Ordering scheme is updated. Option 4 is updated. Option 5 is added. Locking system are added in the accessories.	N/A	N/A
f	L4	24.05.2018	F.KARABULUT	Materials of Lock ON/OFF and Lock OFF are updated to PA6GF30 (UL94 V-0), was PC GF20 (UL94 V-0).	N/A	N/A

<input type="radio"/> Taslak / Draft	<input type="radio"/> Prototip / Prototype	<input type="radio"/> Ön seri / Pre-series	<input checked="" type="radio"/> Seri / Series
KAT tarafından onaylanarak kullanılmak üzere bu çizimlere hakları saklanmıştır. Bu çizimlerin kullanılması için yazılı izin alınmalıdır. KAT'ın bu çizimlere ilişkin hakları saklıdır. KAT'ın bu çizimlere ilişkin hakları saklıdır. KAT'ın bu çizimlere ilişkin hakları saklıdır.			
KAT reserves all rights, including without limitation rights of invention, copyright, rights to names and the right to apply for industrial property rights. All rights of use and exploitation including the right to copy and disseminate or distribute made with us.			
CAD sistemi ve yönetim kodu/CAD system and administration code		SIEMENS NX (*.prt)	
Malzeme / SAP kod / Markalama kodu / Material / SAP code / Part marking code		Renk / Color	
See the table		See the table	
Ağırlık (g) / Weight			
See the table		Sertlik (HV) / Hardness	
Çekme mukavemeti (N/mm²) / Tensile strength		N/A	
Kaplama malzemesi / Coating material		N/A	
Kaplama kalınlığı (µm) / Coating thickness		N/A	
Çizen / Drawn		İsminin / Name	
K.KARABULUT		Tarih / Date	
22.03.2007		İmza / Signature	
Resim Sorumlusu / Responsible design		C.TOPRAKHISAR	
22.03.2007		Proje kodu / Project code	
KOT-13		Kontrol / Checked	
C.KABAŞANOGULLU		22.03.2007	
Güvenlik Dok. / Safety Doc.		Page Ad / Project Name	
N/A		BATTERY SEPARATION SWITCH_250A	
ISO 128		Boyut / Format	
A1		Çizim / Drawing No	
95007		Sayfa / Sheet	
1		Toplam sayfa / Total pages	
1		ISO 2768	