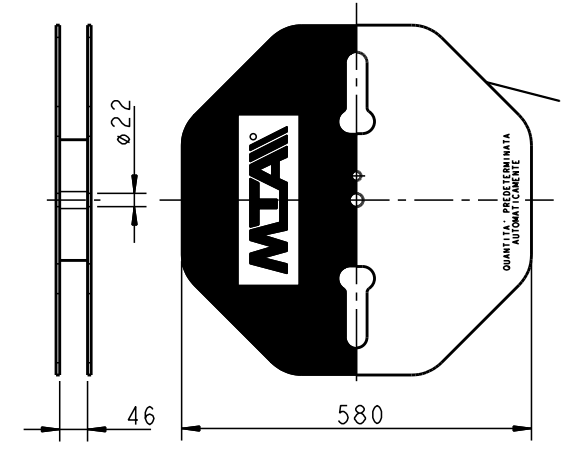
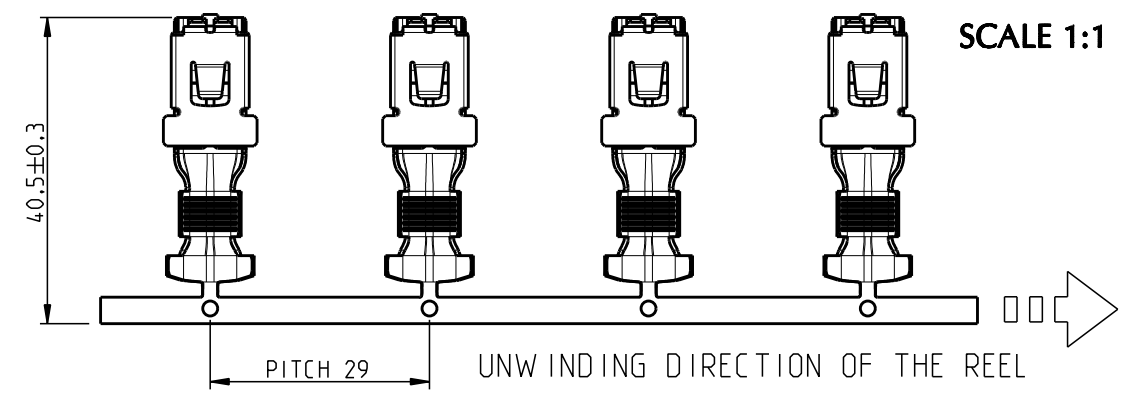
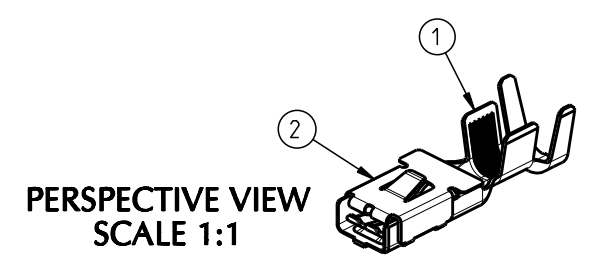
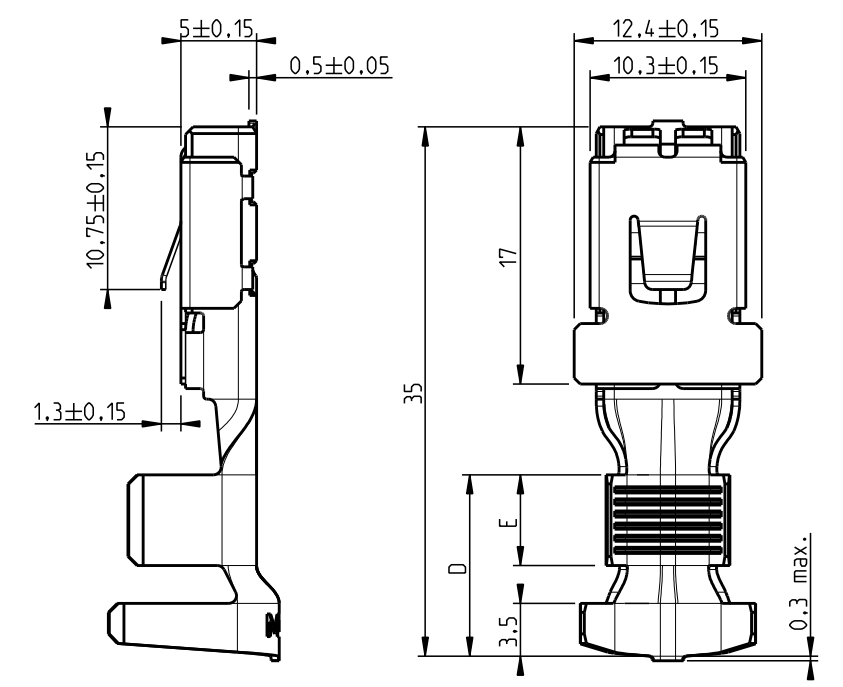
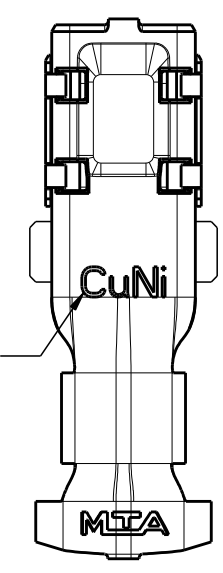


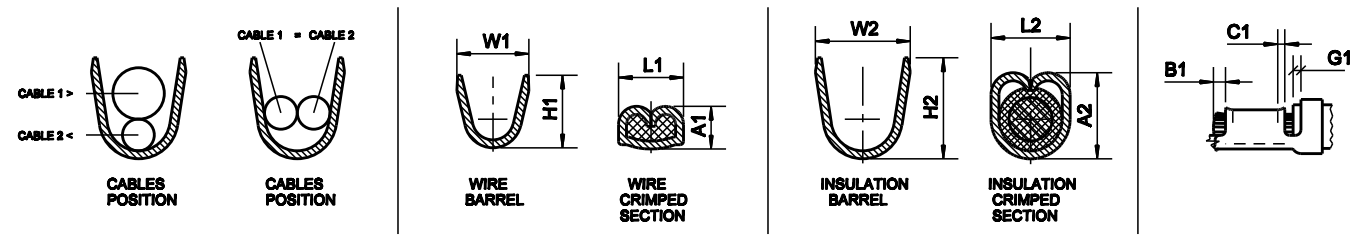
UNCONTROLLED COPY
 in case of drawing updating/revision
 NO AUTOMATIC
 resubmission will follow



THE NOTE CuNi MUST BE PLACED ONLY WHEN THE MATERIAL USED IS COPPER-NICHEL
 MTA P/N 1707622 - 1707623



CRIMP STATEMENTS



MTA P/N	D ±0.35	E ±0.35	RATED CURRENT (A)	Wire sec. (mmq)	CONDUCTOR				INSULATION				TEAR OUT FORCE (N)
					H1	W1	A1 ±0.05	L1 ±0.1	H2	W2	A2 ±0.2	L2 ±0.2	
1707620	11	5	20	1.5	4.2	4.1	1.90	3.55	5.2	5.5	3.48	4.29	>155
				2.5			2.00	3.57			3.87	4.29	>235
1707621	11	5	36	4	5.6	5.5	2.50	4.18	7.8	8.2	5.14	6.11	>320
				6			2.85	4.22			5.36	6.11	>400
				4+2.5			2.75	4.23			5.90	6.28	>320/235
1707622	12	6	53	8	8.5	8.2	3.10	5.95	11.3	10.6	7.70	8.17	>500
				10			3.50	5.93			8.13	8.37	>600
1707623 NOT INDUSTRIALIZED	12	6	75	15	9.6	8.9	4.00	7.15	11.1	11.9	9.18	8.80	>750
				16			4.10	7.17			9.27	8.80	>800

POS.	Q.TY	DENOMINATION	MATERIAL
2	1	CLIP	STAINLESS STEEL
1	1	TERMINAL POWER F800P SEC. 15 ± 16mm ²	CuNi - TIN PLATED
		TERMINAL POWER F800P SEC. 8 ± 10mm ²	
		TERMINAL POWER F800P SEC. 4 ± 6.5mm ²	CuZn - TIN PLATED
		TERMINAL POWER F800P SEC. 1.5 ± 2.5mm ²	

Rel. Level		Approved		Draw for			CLIENT		Relevant Standard	
Approved		Approved		CLIENT			-		-	
Draft.	10.05.10	A.CAPELLI		Scale	Weight(g)	Lin.Tol.±	Ang.Tol.±	Material SEE TABLE		
Chk	11.05.10	E.ZABAGLIO		2:1	-	0.25	2°	Coating SEE TABLE		
PQApp	25/01/11	R.GONZALEZ		A3	⊕	Dimensions in (mm)	Sheet 1/1	Color -		
App.	25/01/11	M.ROSSI								
No.	-	Reason for Revision		Date	-	Name		-		

All proprietary rights reserved by MTA S.p.A. - This drawing shall not be reproduced, or in any way utilized, for the manufacture of the component or unit herein illustrated and must not be released to other parties, without written consent. Any infringement will be legally pursued.