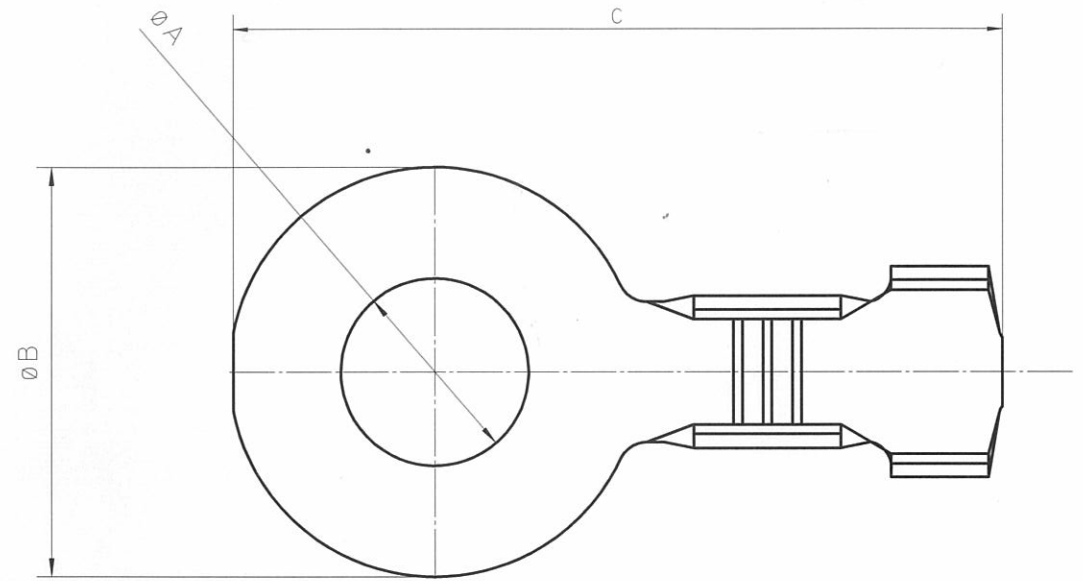
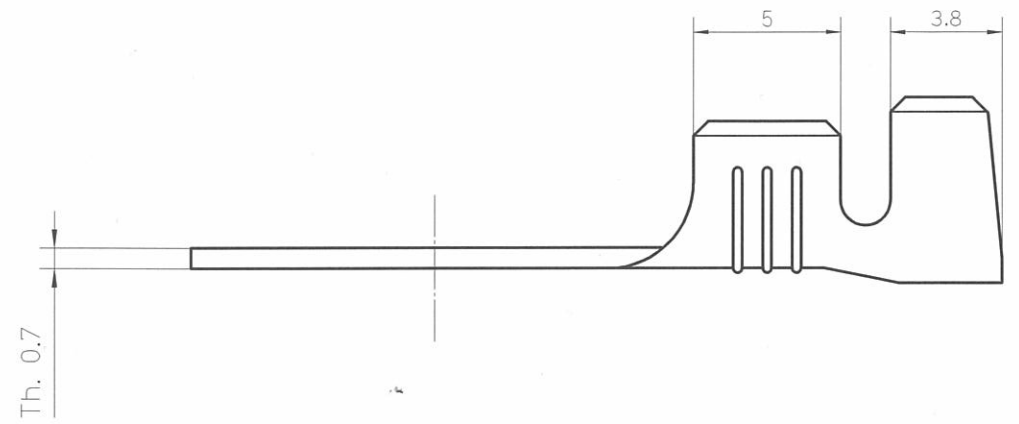


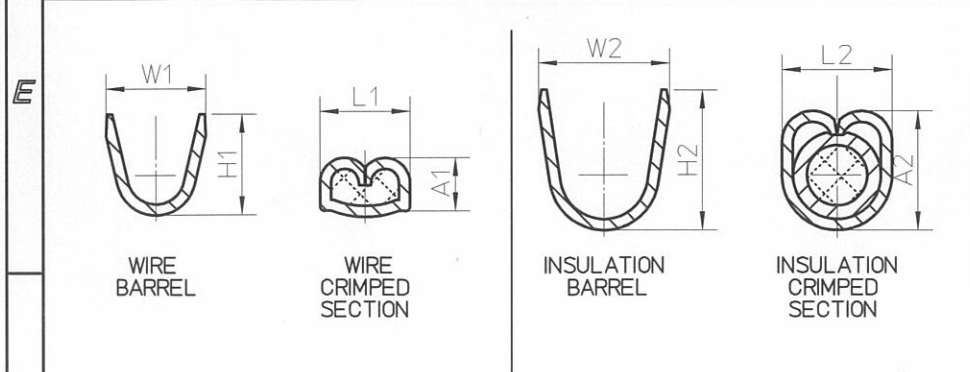
All proprietary rights reserved by MTA S.p.A. - This drawing shall not be reproduced, or in any way utilized, for the manufacture of the component or unit herein illustrated and must not be released to other parties, without written consent. Any infringement will be legally pursued.

4	CRIMP STATEMENTS AND DRAWING UPDATED	A.CAPELLI	30/10/06
3	CRIMP STATEMENTS ADDED	M.PALAZZINA	03/01/01
REV	DESCRIPTION	NAME	DATE



UNCONTROLLED COPY
in case of drawing updating/revision
NO AUTOMATIC
resubmission will follow

CRIMP STATEMENTS



Wire sec. (mm ²)	CONDUCTOR				INSULATION				TEAR OUT FORCE (N)
	H1	W1	A1	L1	H2	W2	A2	L2	
3			2,76	4,71			4,85	5,75	>260
4	6,4	6,0	3,20	4,85	8,2	7,7	5,12	5,84	>320
6			3,18	4,89			5,62	6,25	>360

1603010		5,3	12	25,2
1603000/10	B0-245.014A	8,2	13,6	26,2
1602990/10		6,2	12	25,2
REF. MTA	N° DISEGNO	ØA ± 0,15	Ø B	C

MTA		MTA P/N	1603000/10		Denom. TERMINAL RING STD L26M8	
		Draw No.	B0-245.014A		Used for SECTION CABLE 3-6 sqmm	
Rel. Level	APPROVED	Draw for	CLIENT		Relevant Standard TERMINALS	
Date	Name	Scale	Weight(g)	Lin.Tol.±	Ang.Tol.±	Material CuZn
Draft	16/11/1992	L.BASSI	4:1	1,4	0,3	2
Chk	20/10/2011	E.UGGERI	A3		Sheet 1/1	Coating
PQApp	21/10/11	<i>[Signature]</i>				Color
App.	21/10/11	<i>[Signature]</i>				

5	MTA P/N 1603010 RESTORED	
No.	Reason for Revision	Date 20/10/2011 Name E.UGGERI