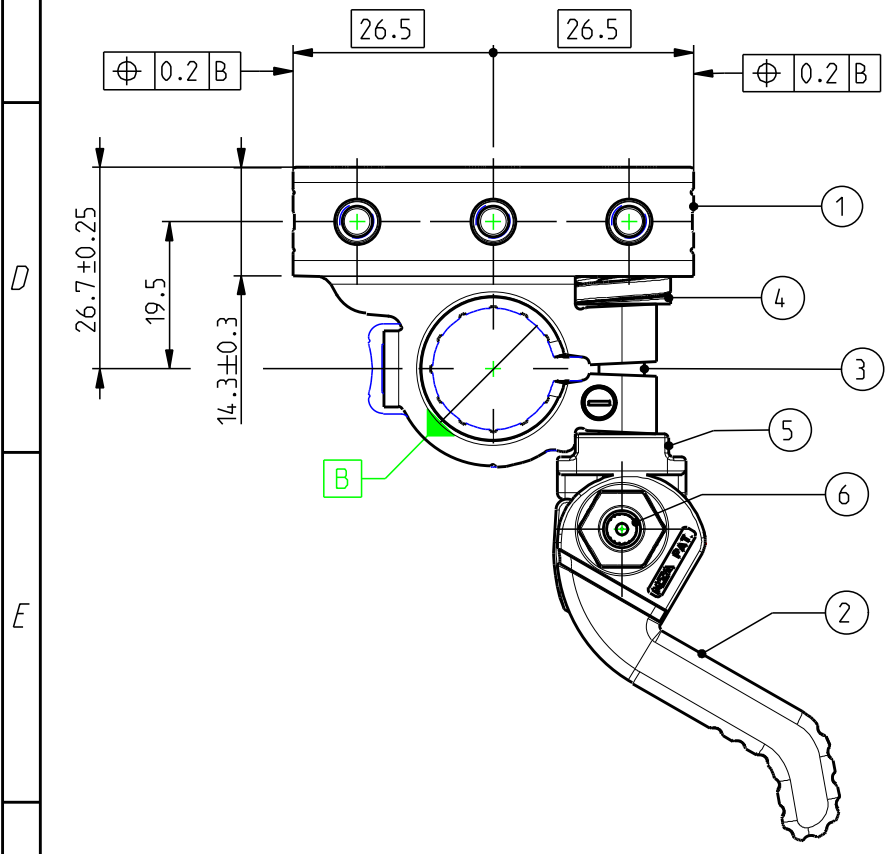
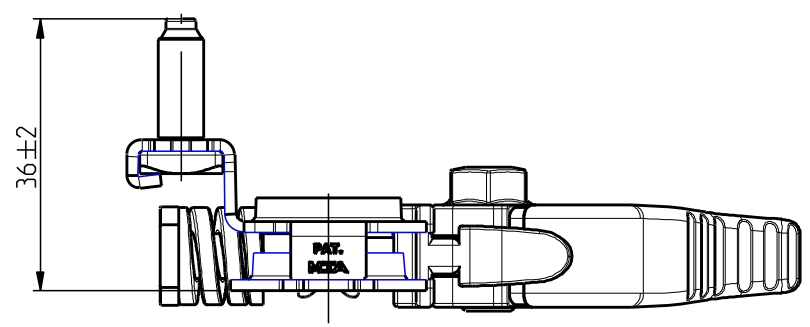
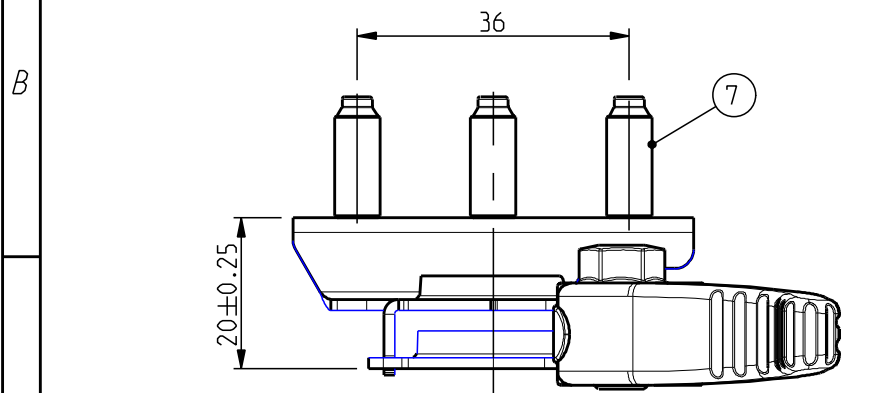
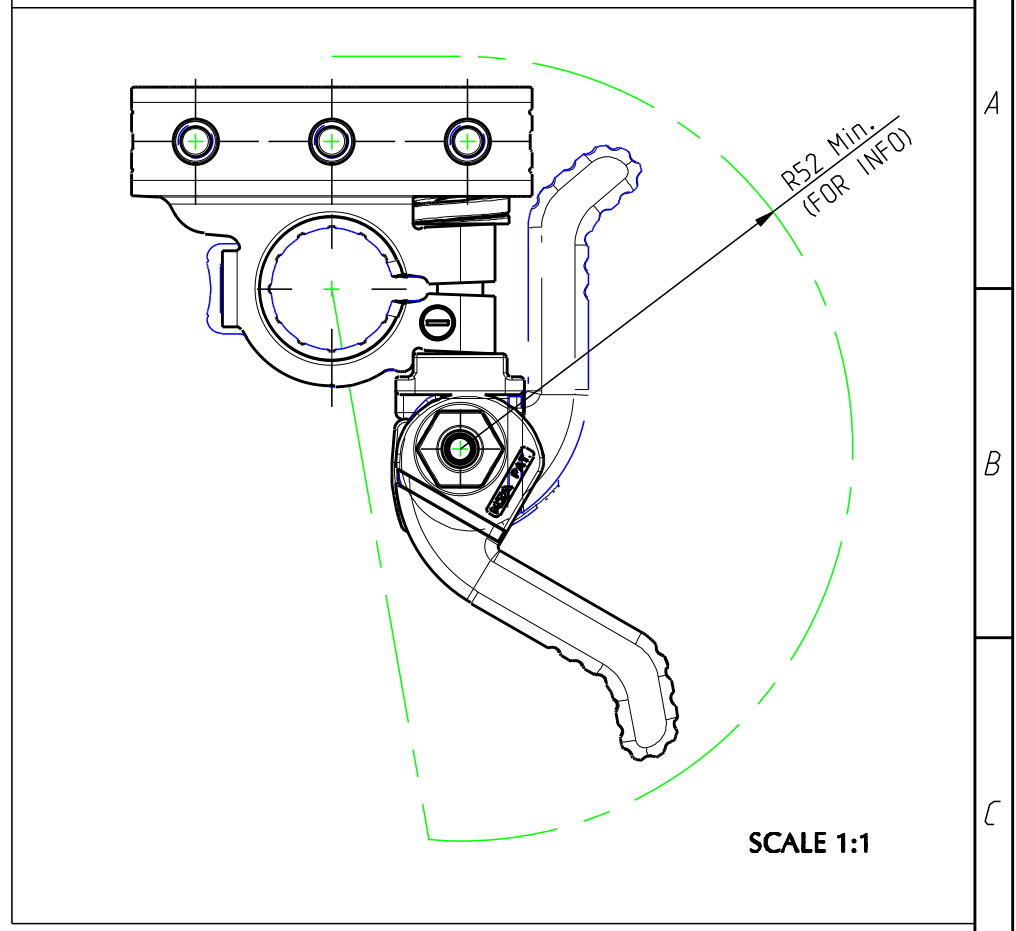


OPERATING FEATURES

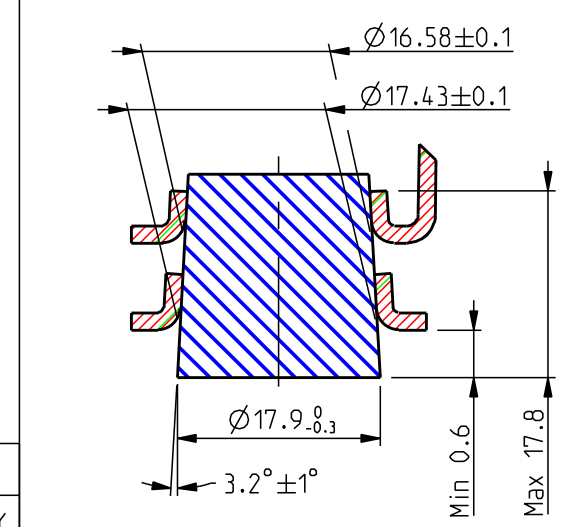
FEATURE	UNIT	VALUE
T.MIN - T.MAX	°C	-40 / +120
FLAMABILITY	UL 94	HB
SCREW TORQUE M6(Pos.7)	Nm	5.5 ±20%

UNCONTROLLED COPY
 in case of drawing updating/revision
 NO AUTOMATIC
 resubmission will follow

OPENING/CLOSING LEVER OVERALL RAY



BEST DIMENSION OF BATTERY TERMINAL POSITIONING ON BATTERY POLE (IEC NORM 60095-2 DRAFT 2000-10)



NOTE
 THE MINIMUM FORCE TO INSTALL THE BATTERY TERMINAL IN THE OPERATION RANGE IS 80N

POS.	Q.TY	DENOMINATION	MATERIAL
7	3	SCREW M6	STEEL CL. 8.8(ISO 898) Fe/Zn 7 (ISO 4042)
6	1	PIN	STEEL CL. 8.8(ISO 898) Fe/Zn 7 (ISO 4042)
5	1	SQUARE WASHER	PBT-GF40 (ISO 1043) COLOR GREY
4	1	SPRING	54SiCr6(DIN 17223) Delta Seal Delta Tone
3	1	PIVOT	STEEL CL. 8.8(ISO 898) Fe/Zn 7 (ISO 4042)
2	1	LEVER G90	PBT-GF40 (ISO 1043) COLOR GREY
1	1	TERMINAL	CuZn33 (ISO 1190-1) Tin Plated BLANK REEL THICKNESS 1.58.05

Rel. Level		Approved		Draw for			CLIENT		Relevant Standard	
Date	Name	Scale	Weight(g)	Lin.Tol.±	Ang.Tol.±	Material		SEE TAB.		
Draft. 14.10.03		E.ZABAGLIO		1:1	71	0.5	2	Coating -		
Chk. 15.05.07		E.ZABAGLIO		A3	Dimensions in (mm)	1/1	Color SEE TAB.			
PQApp. 16.10.07		R.GONZALEZ					Sheet			
App. 16.10.07		M.CORBANI		Dimensioning updated and note added						
No. 8		Reason for Revision		Date 15.05.07		Name P.MANGINI		0+		

All proprietary rights reserved by MIA S.p.A. - This drawing shall not be reproduced, or in any way utilized, for the manufacture of the component or unit herein illustrated and must not be released to other parties, without written consent. Any infringement will be legally pursued.