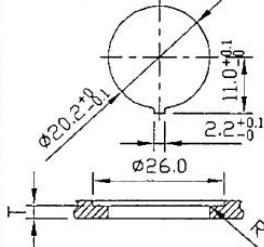
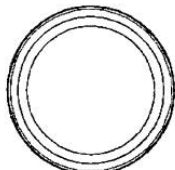
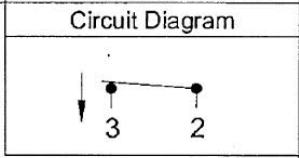
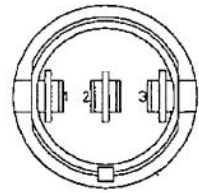
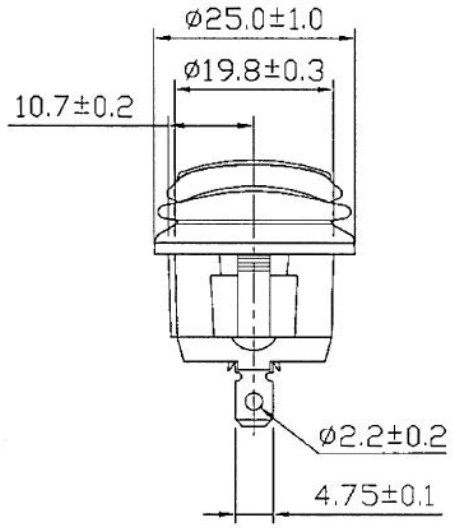
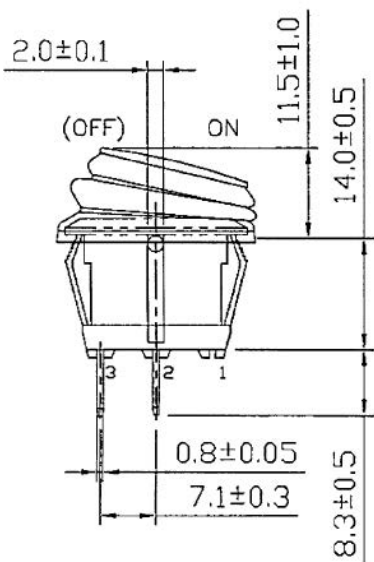


ROCKER SWITCH 10A 250V ON-(OFF) IP65

Rating	16A 125VAC, 10A 250VAC	
Contact Resistance	50m ohm Max.	
Insulation Resistance	DC 500V 100M ohm Min.	Thickness: 1.5~2.5
Dielectric Strength	AC 1500V 1 minute	Thickness: 0.7~2.5
Operation Temperature	-25°C~85°C	
Switch Function	2P SPST ON-(OFF)	



*MATERIAL:
 Frame: Black, Nylon 66 (94-V2)
 Actuator: Black, PC (94-V2)
 Waterproof rubber: Black, Silicone
 Terminals: Silver plated, Copper alloy
 Hot Stamping: None
 Waterproof: IP65



Unit: mm