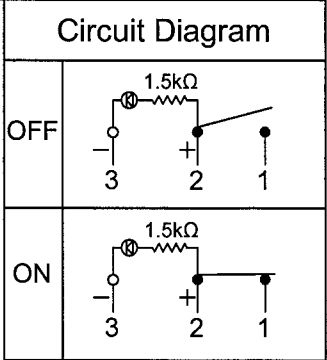
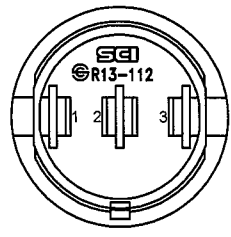
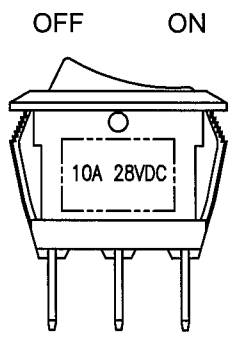
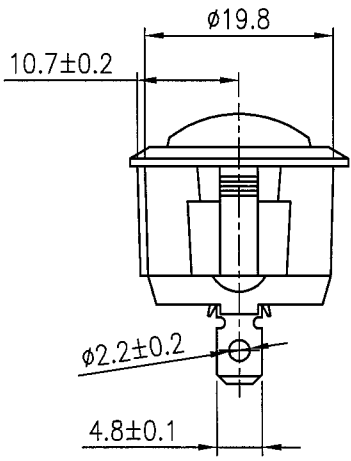
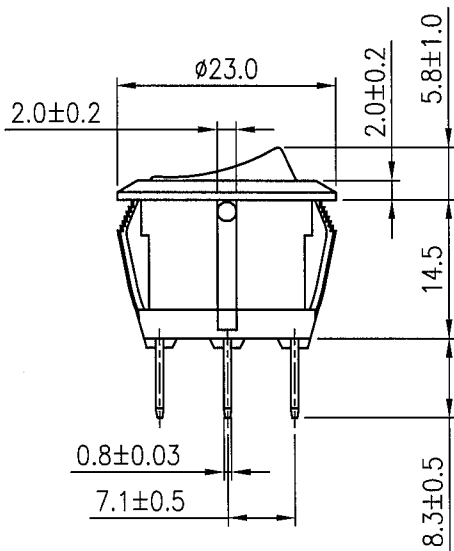
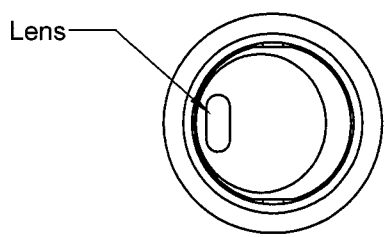


Rating	10A 28VDC	
Contact Resistance	50m ohm Max.	
Insulation Resistance	DC 500V 100M ohm Min.	
Dielectric Strength	AC 1500V 1 minute	
Operation Temperature	-25°C~85°C	
Switch Function	3P SPST ON-OFF (LED dependent)	



Material:
 Frame: Black , Nylon#66
 Actuator: Black , Nylon#66
 Lens: Green clear, PC
 LED Color: Green
 Printed: None



for EH045 only

Tolerances ±0.3 Unless Otherwise Specified

						△	
						△	
Date	Name	Description				No.	
Drawn	Checked	Approved	SCI BOM No.	Model Name		ROCKER SWITCH	
曹盈芳		<i>[Signature]</i>	Customer No.	Model No.		R13-112L3-02	Rev. X0
11/15/16		11/15/16	Unit	mm	Shin Chin Industrial Co., Ltd.		