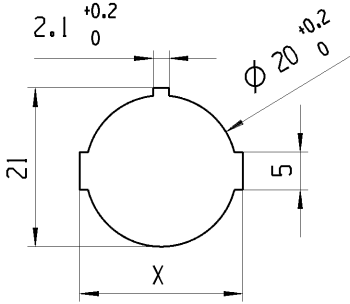


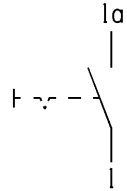
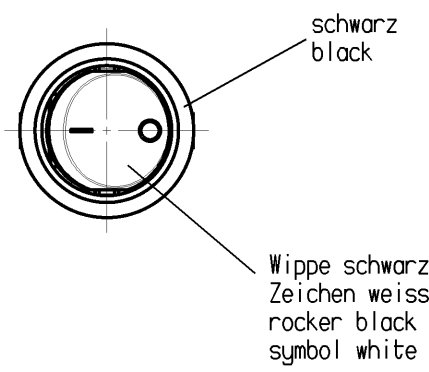
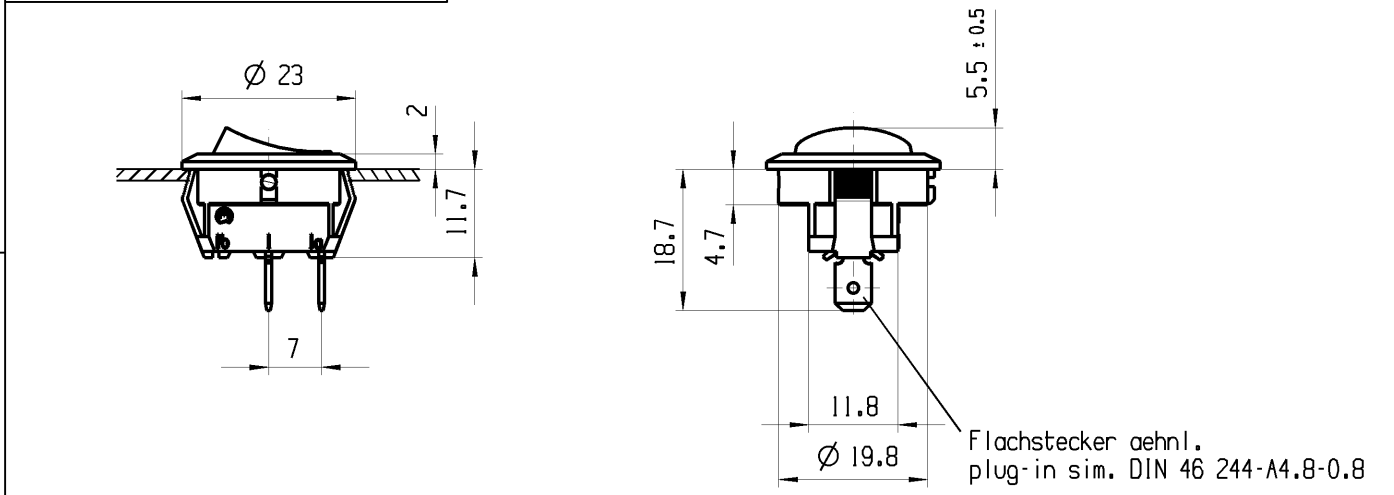
© THIS DRAWING IS THE EXCLUSIVE PROPERTY OF MARQUARDT GMBH. WITHOUT THEIR CONSENT IT MAY NOT BE REPRODUCED OR GIVEN TO THIRD PARTIES.

CONFIDENTIAL


VERTRAULICH

© Alle Rechte bei Marquardt GmbH, auch fuer den Fall von Schutzrechtsmeldungen. Jede Veruegungsbefuegnis, wie Kopier- und Weitergaberecht, bei uns.

| | | | | |
|-----------|---|---------------------------------|-----------|---|
| A | 1 | 2 | 3 | 4 |
| | Empfohlener Plattenausschnitt suggested panel cutout | Plattendicke panel thickness | X | |
| |  | 0.75-1.25 | 21.2 -0.1 | |
| | | 1.25-2.00 | 21.4 -0.1 | |
| 2.00-3.00 | | 21.8 -0.1 | | |



Aufschrift
Marking

Ⓜ
18..
8(81)/250~5E4
12(41)/250~
5/70A 250V~
T100/55  05

Aufschriftbeschreibung
marking description

R149= 15A 125-250V AC
3/4 HP 125V AC
1 1/2 HP 250V AC

Ausschalter 1-polig
Fuer Gerate der Klasse II geeignet
SPST
suitable for appliances of class II

| | | | | | | | | | | |
|--|---------------------------|--|--|--------------------|--------------------|----------------------------|----------------|--------------------------------------|------------------------------|---------|
| fuer Form und Lage FOR SHAPE AND LOC. | ⊙ = | Allgemeintoleranzen UNTOLERANCED DIMENSIONS | | | | Pause COPY | Blatt SHEET 01 | TYP K | Zeichn./DRAWING NO. 18811103 | Index c |
| | fuer Winkel FOR ANGLE ± 2 | PROJEKTION | Abmasse und Nennmassbereiche Angaben in mm | Laenge LENGTH | Radien RADII | | | | | |
| | | | 0-6 ± 0.2 ± 0.2 | >6-15 ± 0.4 ± 0.4 | >15-30 ± 0.4 ± 0.4 | | | GERAETESCHALTER | | |
| | | | ALL DIMENSIONS ARE IN MILLIMETRES | >30-70 ± | >70-120 ± | | | APPLIANCE SWITCH | | |
| | | | >120-200 ± | ± 10% | | | | Ersatz fuer/REPLACEMENT OF V05140100 | | |
| c | 54873 | 10/26/07 | LX | | | CAD: NX V4.0 | | | | |
| b | 45331 | 02/17/06 | MUT | | | gez./DRAWN BY 07/08/05 YLJ | | | | |
| a | 45770 | 02/09/06 | MUT | | | gepr./CHECKED BY | | | | |
| | 43798 | 10/05/05 | MUT | | | | | | | |
| Ausg. ISSUE | Aenderung REVISION | gez. DRAWN BY | Ausg. ISSUE | Aenderung REVISION | gez. DRAWN BY | | | | | |

