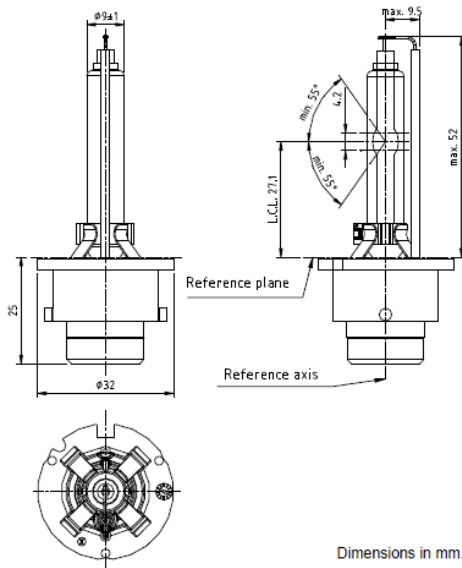




Specification Data Sheet Test Report Document no.: 00-11000-02	Subject: Discharge Headlight Lamp With Clear Outer Bulb D2S 35W P32d-2 White Light 5.500°K +20% More Light Category: D2S Cap: P32d-2	Type no.: 11000 Version no.: 2 Date: 17.09.2015 Page: 1 of 2
---	---	---



Regulation / Standard:
 ECE R99 D2S
 IEC 60061-1 / 7004-111-3
 IEC 60809 / 7110-1
 Directive 2000/53/EC (ELV directive)

Monogramming:
 JAHN 11000 D2S 35W LFU (E1) 06T
 DOT Xenon White Light

Technical Data		
Initial Parameters		
Test / Lamp Voltage:	13.5 V	68 – 102 V
Wattage:	32 W	38 W
Luminous Flux:	2750 Lumens	3650 Lumens
Colour Coordinates:	$X \geq 0.345, Y \leq 0.150, \pm 0.640X$	$X \leq 0.405, Y \geq 0.050, \pm 0.750X$
Colour Temperature:	4800°K Nominal / 5500°K Majority of life time	
Life		
Test Voltage:	13.5 V	
Nominal Life:	$B_3 = 1500$ Hours	$T_C = 2500$ Hours
Min. Lumen Maintenance:	60% at 1875 Hours	
Operating Requirements		
Operating Position:	Horizontal	



Specification Data Sheet Test Report Document no.: 00-11000-02	Subject: Discharge Headlight Lamp With Clear Outer Bulb D2S 35W P32d-2 White Light 5.500°K +20% More Light Category: D2S Cap: P32d-2	Type no.: 11000 Version no.: 2 Date: 17.09.2015 Page: 2 of 2
---	---	---

Additional Data

Marketing Claim ECE:	White Light 5.500°K +20% More Light
Colour temperature exceeds 5500°K in majority of life time. Bright bluish white light. Weighted sum of illuminance of most relevant points for night vision, come up with 20% more light on the road.	

Marketing Claim FMVSS:	White Light 5.500°K +20% More Light
Colour temperature exceeds 5500°K in majority of life time. Bright bluish white light. Focus up to 20% more light on the road. Specific light levels vary by bulb type and headlamp assembly.	