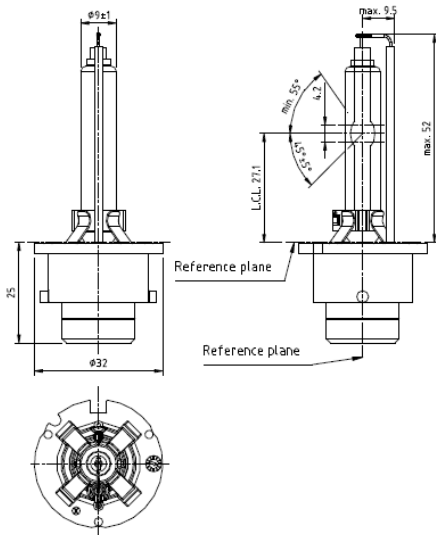




Specification Data Sheet Test Report Document no.: 00-1000-02	Subject: Discharge Headlight Lamp With Clear Outer Bulb D2S 35W P32d-2 Category: D2S Cap: P32d-2	Type no.: 1000 Version no.: 2 Date: 09.02.2011 Page: 1 of 1
--	---	--



Regulation / Standard:
 ECE R99 D2S Rev 2
 IEC 60061-1 / 7004-111-3 : 2004
 IEC 60809 / 7110-1 : 2002
 IEC 60810

Monogramming:
 JAHN 1000 LFU D2S 35W (E1) 06T
 DOT

● critical to quality parameter

Dimensions in mm.

Technical Data		
Initial Parameters		
Test Voltage:	13.5 V	
Wattage:	35 W	
Luminous Flux ● :	2750 Lumens	3650 Lumens
Colour Coordinates:	$X \geq 0.345, Y \leq 0.150, \pm 0.640X$	$X \leq 0.405, Y \geq 0.050, \pm 0.750X$
Colour Temperature:	4100 °K	
Life		
Test Voltage:	13.5 V	
Nominal Life:	$B_3 = 1800$ Hours	$T_C = 3000$ Hours
Min. Lumen Maintenance:	75% at 1500 Hours	
Operating Requirements		
Operating Position:	Horizontal	