

1 2 3 4 5 6

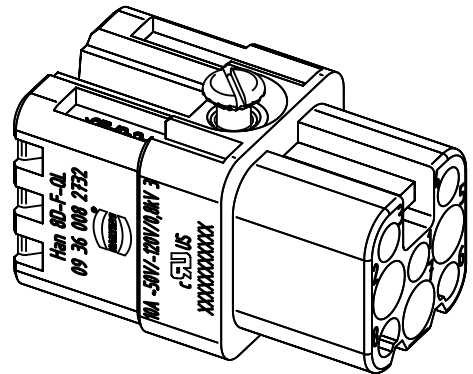
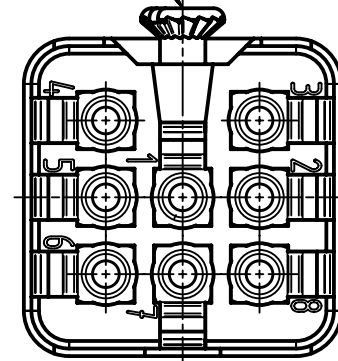
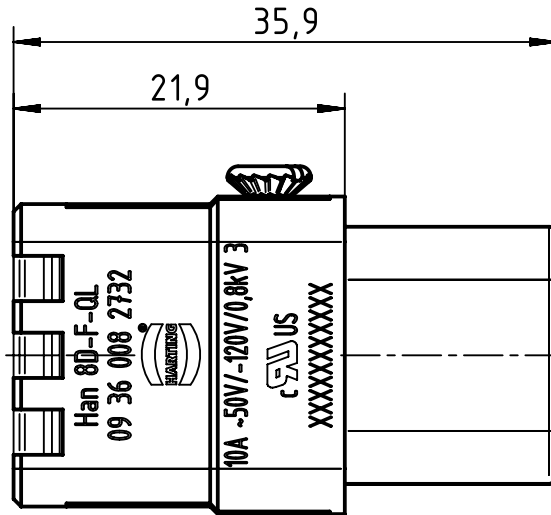
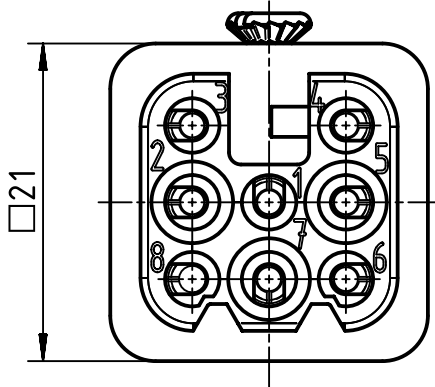
A


B

C

D

insert fixing screw M3x6  
separately enclosed



	All Dimensions in mm Original Size DIN A4		Scale	Free size tol.		Ref.
			2:1			Sub.
All rights reserved Department EL PD - DE	Created by	Inspected by	Standardisation	Date	State	Doc-Key / ECM-Nr. 100172085/UGD/005/A 500000082990
	RULLKOETTER	BERGHORN	TIEMANNA	2015-01-07	Final Release	
HARTING Electric GmbH & Co. KG D-32339 Espelkamp			Title Han 8D-F Quick Lock 22 - 16 AWG			Rev. A Page 1/1
Type TB		Number 09 36 008 2732				