

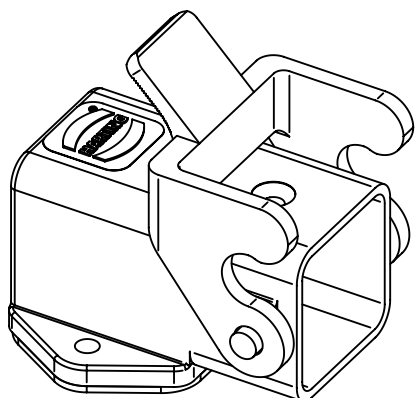
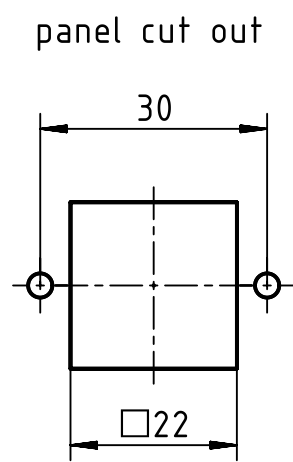
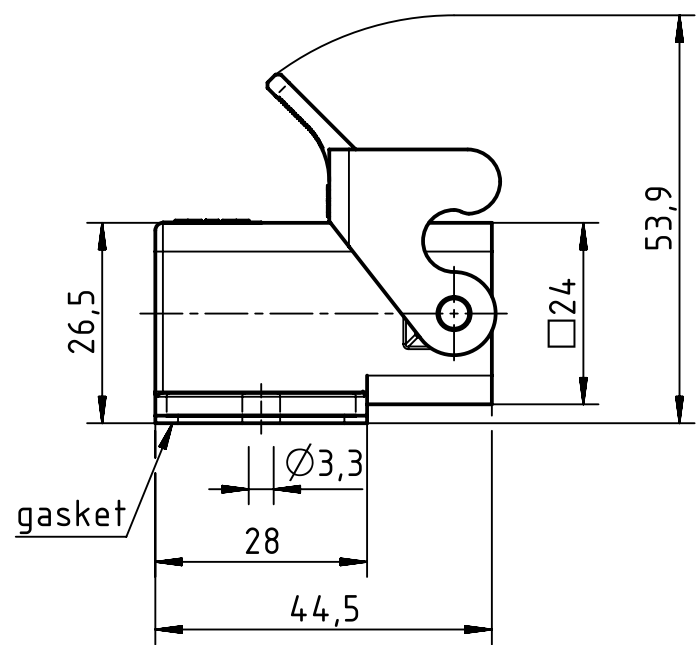
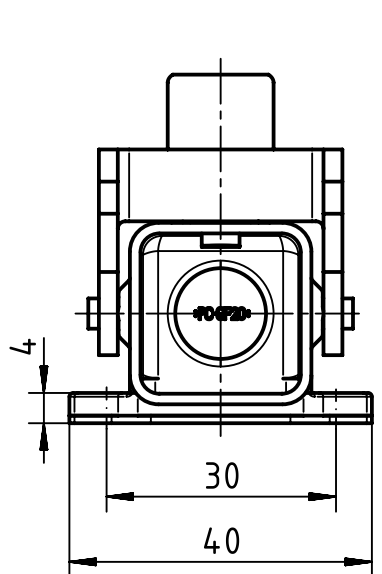
1 2 3 4 5 6


A

B

C

D



	All rights reserved Department EL PD - DE	All Dimensions in mm Original Size DIN A4		Scale 1:1	Free size tol.	Ref.
		Created by BALSAN	Inspected by PRIESTER	Standardisation TIEMANNA	Date 2018-02-05	State Final Release
HARTING Electric GmbH & Co. KG D-32339 Espelkamp		Title Han 3A-HBMA/P-DL-1Pg11-black			Doc-Key / ECM-Nr. 100197004/UGD/004/A 500000129276	
		Type TB	Number 09 20 003 0827		Rev. A	Page 1/1