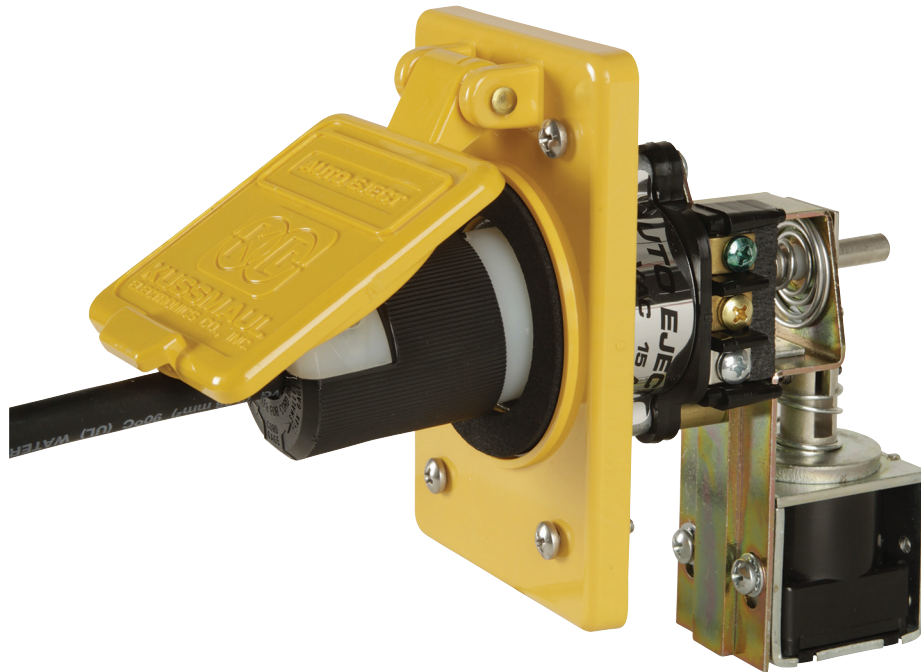


# AUTO EJECT WP

## AUTOMATIC SHORELINE DISCONNECT



**MODEL # : 091-18WP-012**

**MODEL # : 091-18WP-120**

**MODEL # : 091-20WP-120**

File: IM\_091-18wp\_reve.indd  
Rev: E  
Revised By: SO  
Date: 09-22-2015

092 YEAR WARRANTY



scan using your mobile  
device for more information

170 Cherry Avenue  
West Sayville, NY 11796  
[www.kussmaul.com](http://www.kussmaul.com)

**KE KUSSMAUL™**  
**ELECTRONICS**  
*ENERGIZED AND READY, WHEN SECONDS COUNT*

Ph: 800-346-0857  
Fax: 631-567-5826  
[sales@kussmaul.com](mailto:sales@kussmaul.com)

# INTRODUCTION

The Auto Eject WP is a power input connector designed to be mounted in the side of a vehicle to permit connecting the shoreline. It comes with a weatherproof cover. The cover is spring loaded to close, preventing water from entering when the shoreline is not connected. A solenoid wired to the vehicle's starter, is energized when the engine is cranked. This instantaneously drives the plug from the receptacle. This simple, reliable device, eliminates forever the broken cables which result when drivers forget to remove the shoreline before driving away.

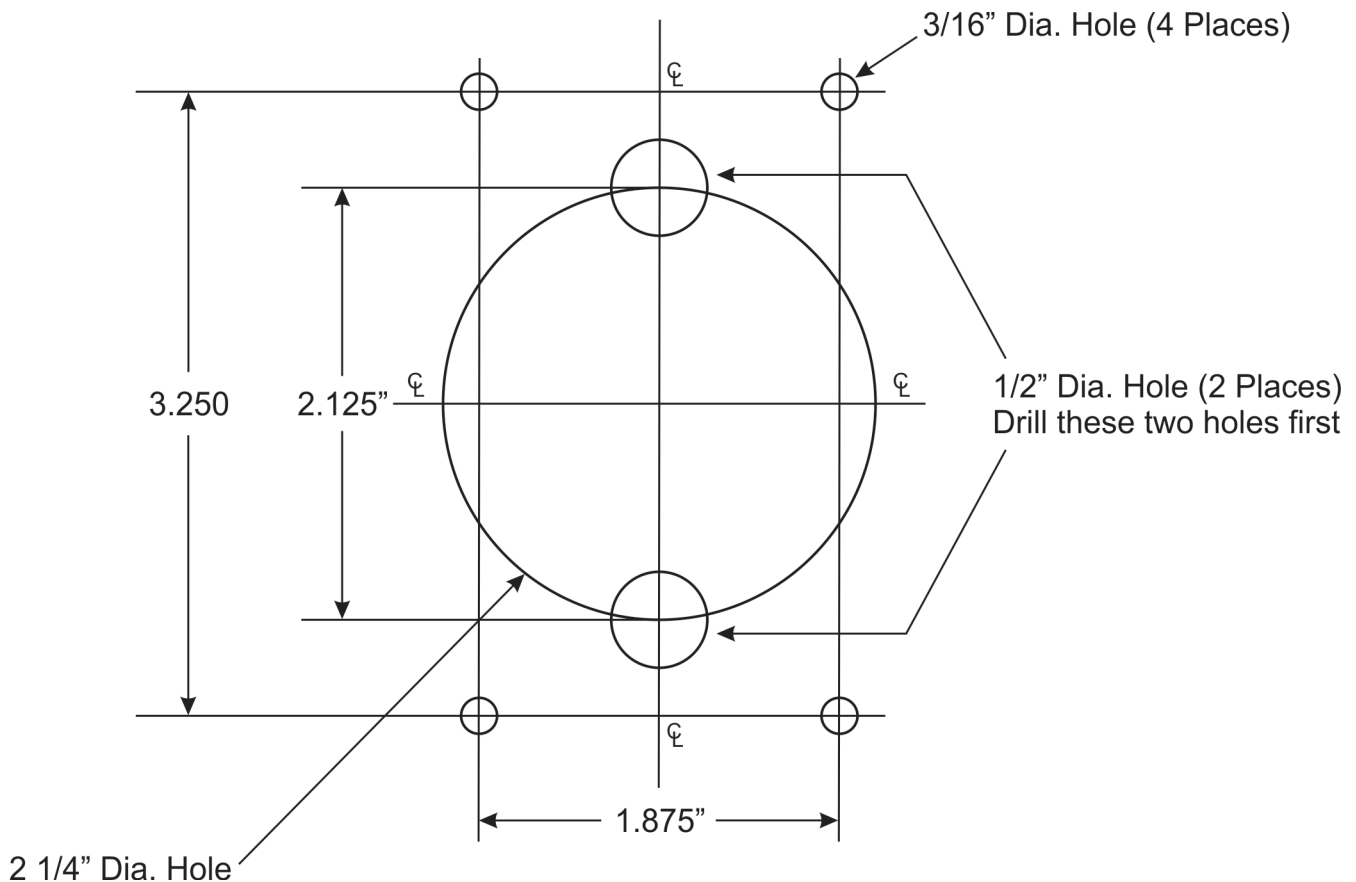
## INSTALLATION INSTRUCTIONS

### I. MOUNTING THE AUTO EJECT WP

1. Locate a convenient place on the vehicle to mount the Auto Eject WP. A minimum clearance of 4" behind the mounting panel is required as well as 3 3/4" below the center line to clear the ejection mechanism.
2. Place the template in position and center punch in 7 places, see Figure 1 Hole Template.
3. Drill 2 holes, 1/2" diameter. IMPORTANT THESE HOLES MUST BE DRILLED FIRST.
4. Drill 4 mounting holes, 3/16" diameter and one, 2 1/4" clearance hole for the Auto Eject WP.

### II. FIGURE 1, HOLE TEMPLATE FOR THE AUTO EJECT WP

1. Note: When printing this page, use the print setting "Actual Size" otherwise may not print to scale

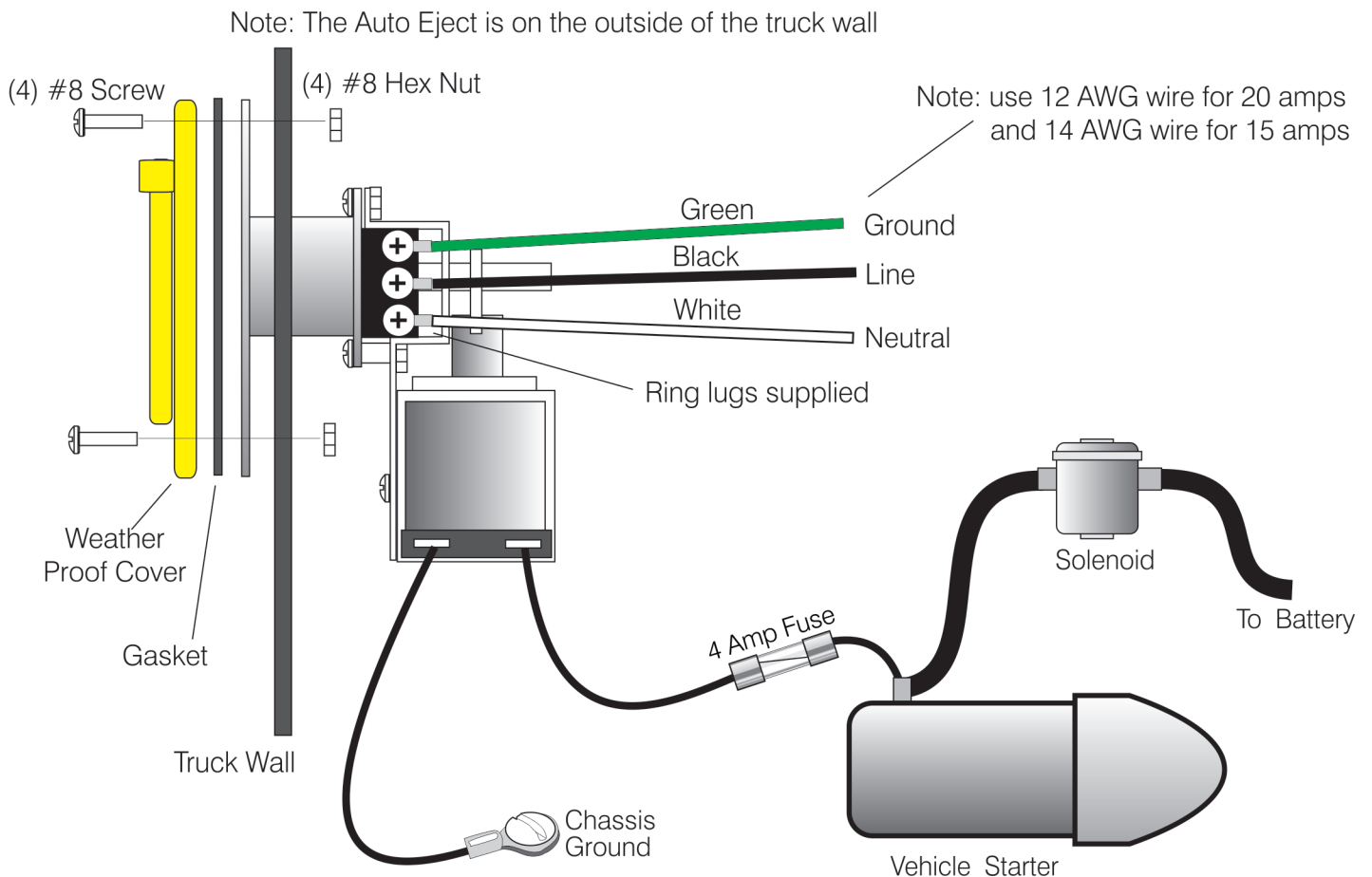


### III. WIRING THE AUTO EJECT WP

1. Connect one terminal of the solenoid on the Auto Eject WP to the vehicle ground. Use a minimum of 16 AWG wire.
2. Connect the other solenoid terminal to the vehicle's starter and install a 4 Amp Fuse inline. Use a minimum of 16 AWG wire.
3. Crimp the ring lugs on the wire and connect the Green, Black, and White power wires to the accessories on the vehicle. For Model #'s: 091-18WP-012 and 091-18WP-120, use a minimum of 14 AWG wire. For Model #: 091-20WP-120, use a minimum of 12 AWG wire.

### IV. FIGURE 2, WIRING THE AUTO EJECT WP

1. Note: Connect the starter circuit so that the solenoid is energized only while the engine is cranking. If the solenoid is energized continuously it will OVERHEAT and BURN OUT and void the warranty.



# TEST AND OPERATION

---

## I. ELECTRICAL TEST

Inspect and verify that all wiring is properly connected as illustrated in figure 2. Measure the D.C. voltage across the solenoid. Cranking the engine should create a D.C. voltage approximately equal to the battery voltage and simultaneously cause the plug to eject.

## II. OPERATION

Install the connector in the Auto Eject WP and note that A.C. power is applied to the vehicle mounted battery charger. Verify that cranking the engine ejects the shoreline.

# NOTES AND CAUTIONS

---

## I. STARTER CIRCUIT

The Auto Eject WP must be connected to the starter circuit so that the solenoid is energized only while the engine is cranking. If the solenoid is energized continuously it will OVERHEAT and BURN OUT.

## II. CONNECTOR INSTALLATION

Do not permit the shore line to drop to the floor when it is ejected. Keep from falling by utilizing a bungee cord restraint, cord reel or some other device. Dropping the connector may result in damage or breakage. Kussmaul Electronics does not warrant the connector.

## III. USING THE CORRECT CONNECTORS

The Auto Eject WP is supplied with mating connector. Do not replace with similar connectors. Use only the Kussmaul Electronics supplied connector.

## IV. ANNUAL MAINTENANCE

1. Keep connector and contacts of the Auto Eject WP clean.
2. Clean contacts with WD-40 solvent as required.
3. Lubricate contacts monthly with "vaseline" to insure free operation.
4. Check all gaskets and replace if worn.

## V. MOUNTING LOCATION

If the Auto Eject WP is installed where the rear mechanism can accumulate dirt, grime or water, the 091-18CP, Rear Enclosure, must be installed as well.

## VI. WARRANTY IMPACT

Failure to follow these notes and cautions will void the warranty

# OPTIONAL ACCESSORIES

---

## I. E-Z MOUNTING PLATE, MODEL #: 091-185-010

- Provides an easier installation of the Auto Eject WP
- Shows an indication of when the line cord has been connected properly
- Green Watertight LED indicator



## II. AUTO REEL, MODEL #: 091-220-20-120

- Automatic shoreline retraction and storage compatible with Auto Eject or by manual disconnection
- Reduce tripping hazard and liability by removing hazardous cord on the ground
- Increase productivity during emergency dispatch by automating the electrical disconnection process
- Ceiling or Wall mounted – Curved edges for Safe and Easy mounting



## III. POWER CORD REEL, MODEL #: L4545 12 3 3

- 45 foot, 12 AWG, 3 conductor cord
- Spring retractable with latch
- Wall or ceiling mount
- Adjustable cord stop



## OPTIONAL ACCESSORIES

---

### III. ALUMINUM ENCLOSURE, MODEL #: 091-18CP

- Provides protection from road dirt, grime or water



### IV. DYNAMIC DISCONNECT, MODEL #: 091-18-098

- Totally eliminates connector arcing
- Disconnects load before Auto Eject is ejected
- Time delay connects load after Auto Eject WP is plugged in
- 30 Amp Relay Contact Rating
- 



### V. RUBBER CONNECTOR PROTECTOR, MODEL #: 091-55-069

- Covers the female 5-15P-H, 6-15P-H, or 5-20P-H connector with 1/8" rubber to protect the connector and nearby vehicles from impact damage



# SPECIFICATIONS

---

**Input Voltage:** 10 - 28 Volts DC

**Input Current:** 1.6 Amperes Max

**Electrical Rating:**

**Model #: 091-18WP-012:** 12 Volts DC or 250 Volts AC, 15 Amperes Max

**Model #: 091-18WP-120:** 120 Volts AC, 15 Amperes Max

**Model #: 091-20WP-120:** 120 Volts AC, 20 Amperes Max

**Hardware Pack Provided:** 3 ring lugs, cover with gasket and mounting screws, mating connector

**Weight:** 2 pounds

# INSTALLATION RECORD

---

DATE INSTALLED \_\_\_\_\_

INSTALLED BY \_\_\_\_\_

VEHICLE IDENTIFICATION \_\_\_\_\_

VEHICLE OWNER \_\_\_\_\_

# WARRANTY POLICY

---

All products of Kussmaul Electronics are warranted to be free of defects of material or workmanship. Liability is limited to repairing or replacing at our factory, without charge, any material or defects which become apparent in normal use within 2 years from the date the equipment was shipped. Equipment is to be returned, shipping charges prepaid and will be returned, after repair, shipping charges paid.

Kussmaul Electronics shall have no liability for damages of any kind to associated equipment arising from the installation and/or use of the Kussmaul Electronics products. The purchaser, by the acceptance of the equipment, assumes all liability for any damages which may result from its installation, use or misuse, by the purchaser, his or its employees or others.



Members of  
Fire and Emergency  
Manufacturers and  
Service Association



Members of  
National Fire  
Protection  
Association



Members of  
Fire Apparatus  
Manufacturers  
Association



170 Cherry Avenue  
West Sayville, NY 11796  
www.kussmaul.com



Ph: 800-346-0857  
Fax: 631-567-5826  
sales@kussmaul.com