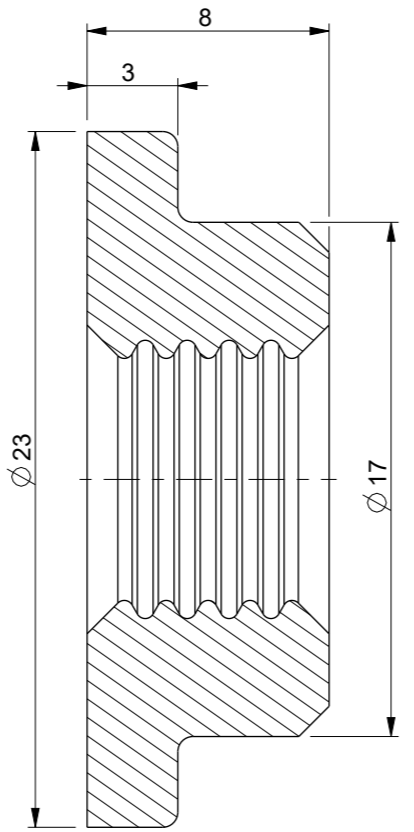
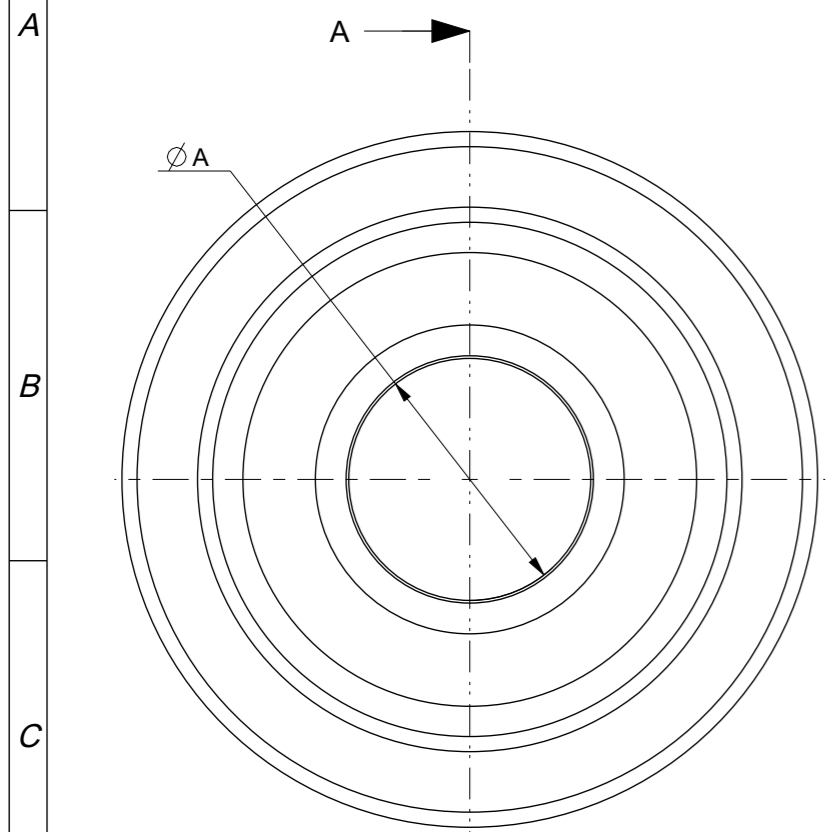


SPECIAL CHARACTERISTICS				
No.	AREA	VALUE	UP TO MTA	UP TO CUSTOMER
01	-	-	-	-

REV.	REVISION HISTORY / STORICO REVISIONI	NAME / NOME	DATE / DATA
0	FIRST ISSUE / PRIMA EMISSIONE	E.ZABAGLIO	01.12.00
2	NEW VERSION ADDED	R.BUSSACCHINI	28.09.11
3	REMOVED WIRE SECTION INDICATION, ADDEDD MIN / MAX CABLE DIAMETER INDICATION. ADDED P/N 0301204/0x. ADDED NOTE TABLE. RIMOSSA L'INDICAZIONE DELLE SEZIONI CAVO, AGGIUNTA INDICAZIONE SUL DIAMETRO MIN / MAX DEL CAVO. AGGIUNTO P/N 0301204/0x. AGGIUNTA TABELLA NOTE.	M.VIAGGI	29.04.20
4	ERRATA CORRIGE	M.VIAGGI	28.05.20



**NOTES / NOTE**

IF ASSEMBLING DIFFICULTIES OF THE GROMMET ON THE CABLE ARE EXPERIENCED, ADDITIONAL MANUAL LUBRICATION USING DOW CORNING® 550 SILICONE FLUID IS SUGGESTED.

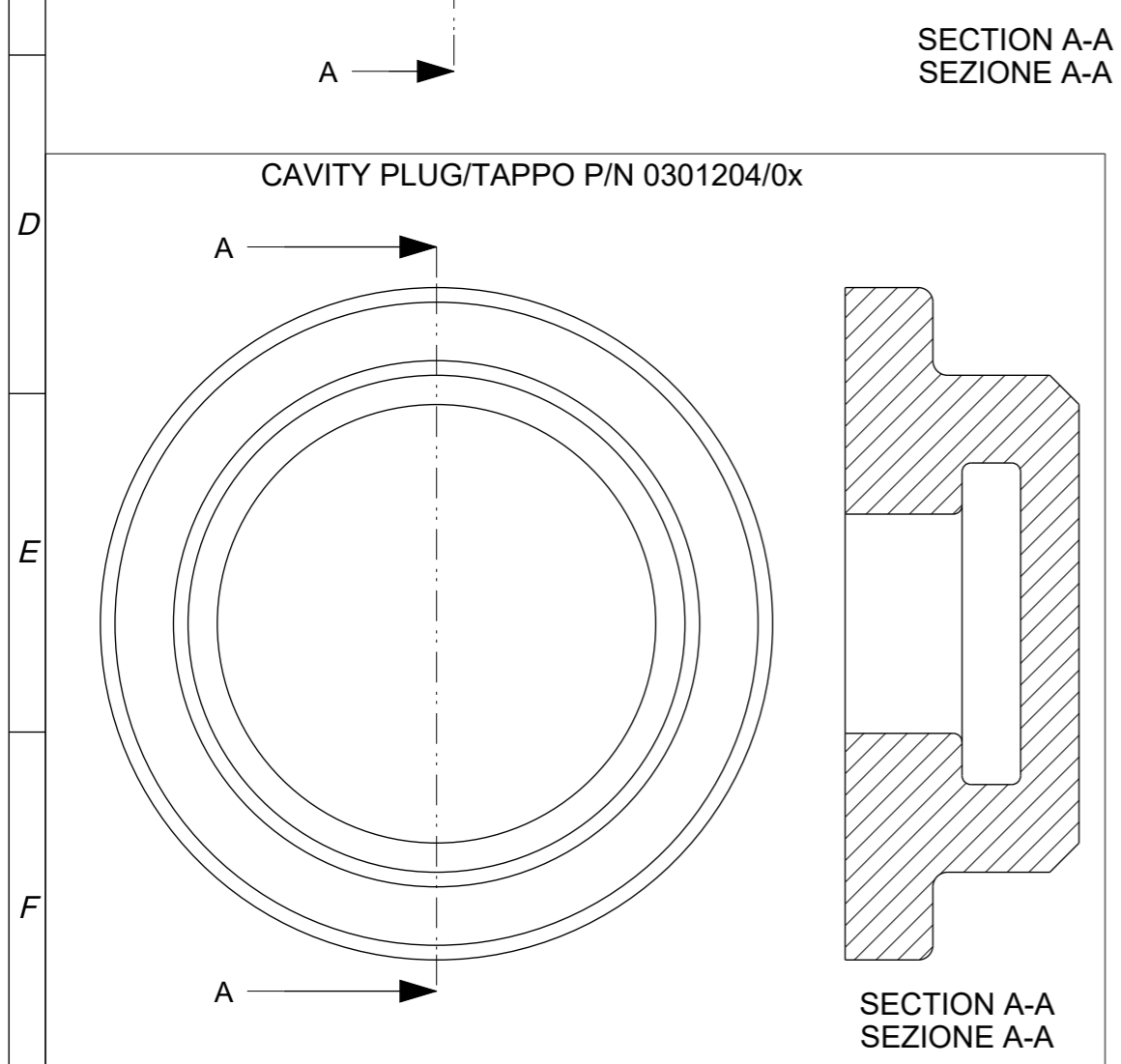
/

SE SI DOVESSERO RISCOVRE DIFFICOLTA' DI ASSEMBLAGGIO DEL GROMMET SUL CAVO, SI CONSIGLIA DI EFFETTUARE UNA LUBRIFICAZIONE MANUALE AGGIUNTIVA UTILIZZANDO L'OLIO SILICONICO DOW CORNING® 550.

UNCONTROLLED COPY

in case of drawing updating/revision  
NO AUTOMATIC  
resubmission will follow

<b>TEMPERATURE RANGE</b>	-45° C +250° C
--------------------------	----------------



CAVITY PLUG/TAPPO P/N 0301204/0x		P/N 0300558			P/N 0300460	
	ISOMETRIC VIEW SCALE 1:1 / VISTA ISOMETRICA SCALA 1:1		ISOMETRIC VIEW SCALE 1:1 / VISTA ISOMETRICA SCALA 1:		ISOMETRIC VIEW SCALE 1:1 / VISTA ISOMETRICA SCALA 1:1	
0301204/0x	CAVITY PLUG TAPPO	N/A	N/A	N/A	SILICONE 50 SHORE A	NATURAL NATURALE
0300558	GASKET PASSACAVO	11.5	13.5	10	SILICONE 30 SHORE A LUBR.	GREEN VERDE
0300460	GASKET PASSACAVO	9.4	11.6	8	SILICONE 30 SHORE A LUBR.	YELLOW GIALLO
MTA P/N	DENOMINATION DENOMINAZIONE	ØEXT. MIN. CABLE ØEST. MIN. CAVO	ØEXT. MAX. CABLE ØEST. MAX. CAVO	ØA	MATERIAL MATERIALE	COLOUR COLORE

		MTA P/N	0300460	Denom.	GASKET
		Draw No.	B0-171.D04A	Used for	FUSEHOLDER MIDIVAL 6 WAY
Draft.	01.12.00	Name	E.ZABAGLIO	Draw for	CUSTOMER
Chk				Scale	CAD MODEL Weight(g)
Verif.	25.05.20	A.CROTTI		Lin.Tol.±	Ang.Tol.±
PQApp	26.05.20	M.ALBERTOCCHI		Coating	-
App.	28.05.20	G.SPATARO		Colour	SEE TAB
		CAD Software PTC Creo		Note	

REV. 4 All proprietary rights reserved by MTA S.p.A. - This drawing shall not be reproduced, or in any way utilized, for the manufacture of the component or unit herein illustrated and must not be released to other parties, without written consent. Any infringement will be legally pursued.