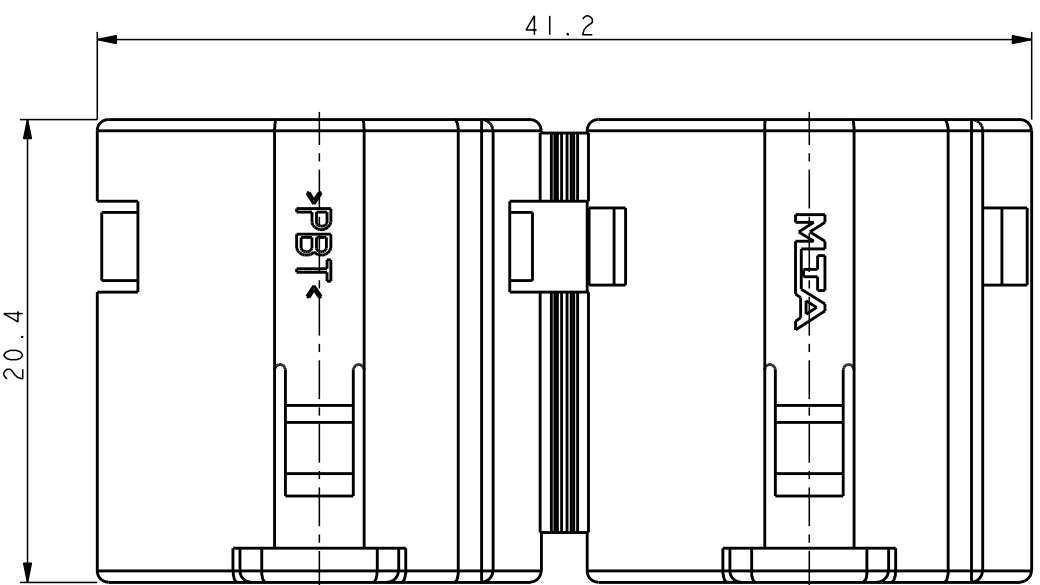
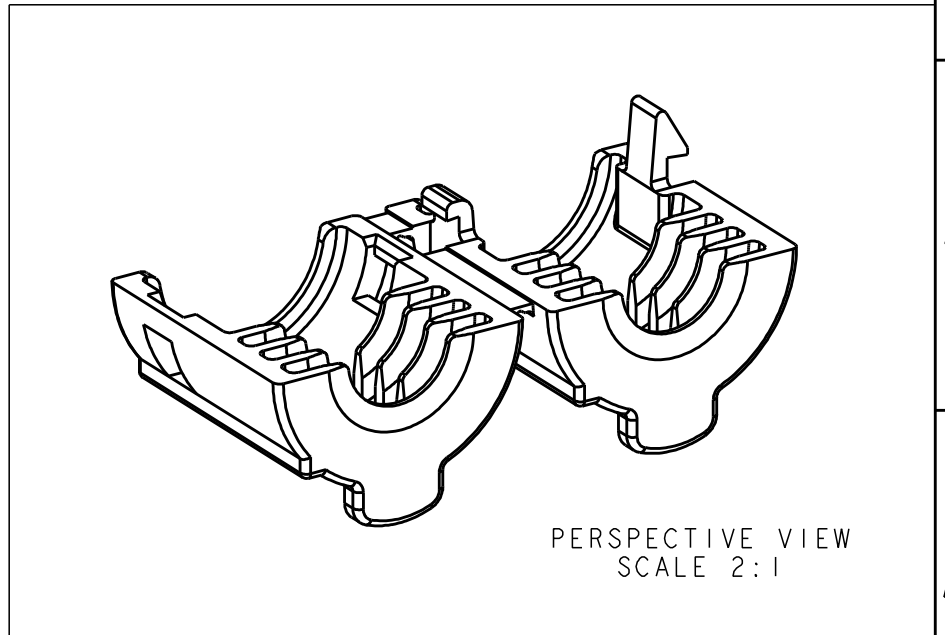
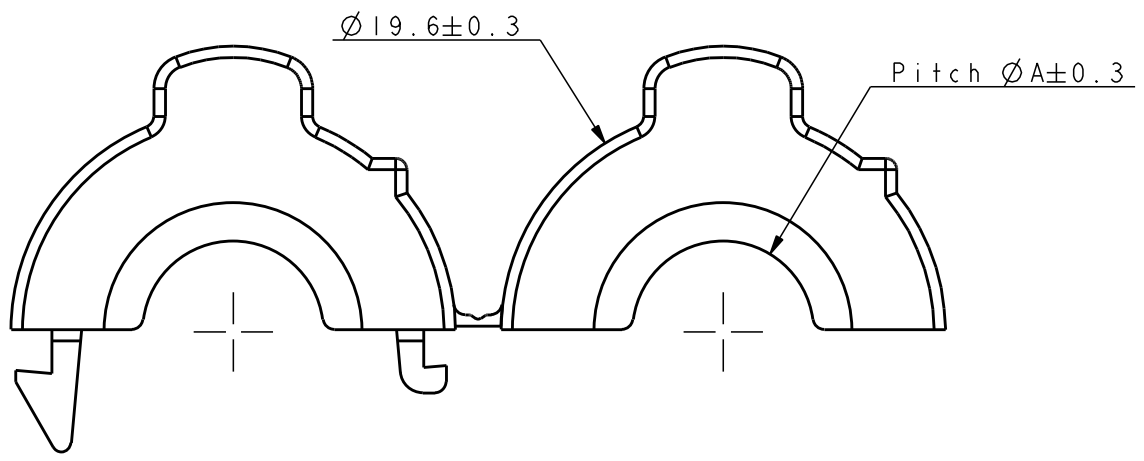
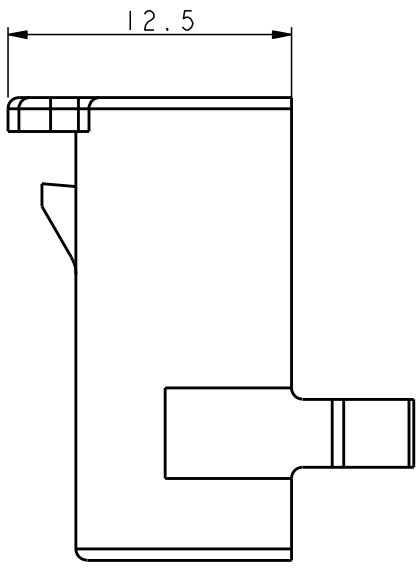
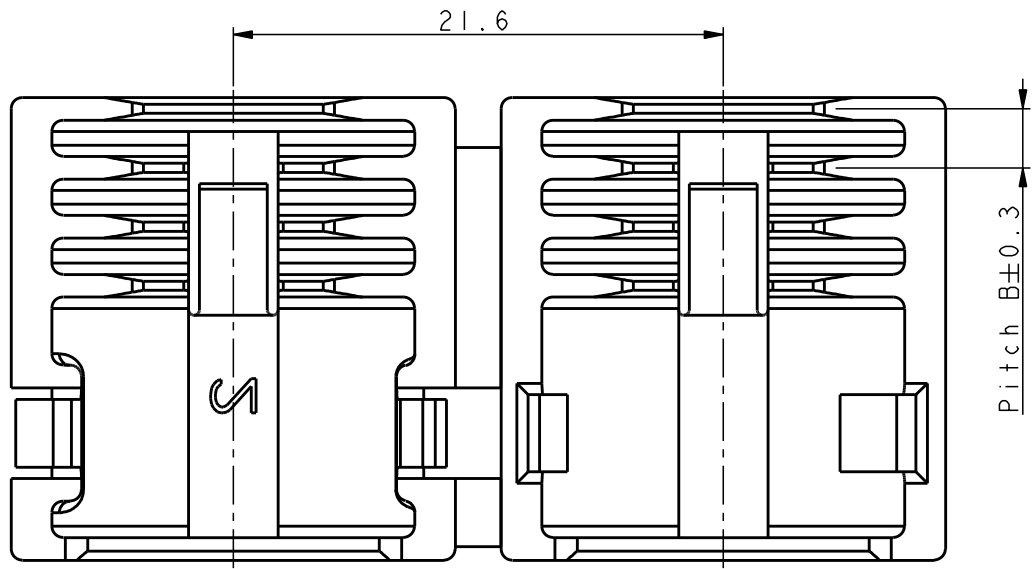


1 2 3 4 5 6 7 8

TEMPERATURE RANGE	- 50°C +130°C
-------------------	---------------

UNCONTROLLED COPY
 in case of drawing updating/revision
 NO AUTOMATIC
 resubmission will follow



03.00465/10	POWER TUBE RETAINER D.10	81588	11.4	2.7
03.00454/10	POWER TUBE RETAINER D.5	81575	6	2.2
03.00452/10	POWER TUBE RETAINER D.7.5	81577	8	2.6
MTA P/N	DENOMINATION	IVECO STD. 11-8223	Ø A	B

MTA	MTA P/N	03.00452/10			Denom. TUBE RETAINER D. 7,5	
	Draw No.	B0-111.B02A			Used for FUSEHOLDER MIDIVAL 6WAY	
Rel. Level	Approved	Draw for	CLIENT			Relevant Standard -
	Date	Name	Scale	Weight(g)	Lin.Tol.±	Ang.Tol.±
Draft.	24.05.00	E.ZABAGLIO	3:1	1.3	0.5	1
Chk	30.11.00	G.CINQUETTI	A3		Dimensions in (mm)	Sheet 1/1
PQApp	16.01.06	R.GONZALEZ				
App.	16.01.06	M.CORBANI				
						Material PBT
						Coating -
						Color BLACK

2	Closing hinge extended	
No.	Reason for Revision	Date
		21.11.05
		Name
		P.MANGINI

All proprietary rights reserved by MIA S.p.A. - This drawing shall not be reproduced, or in any way utilized, for the manufacture of the component or unit herein illustrated and must not be released to other parties, without written consent. Any infringement will be legally pursued.