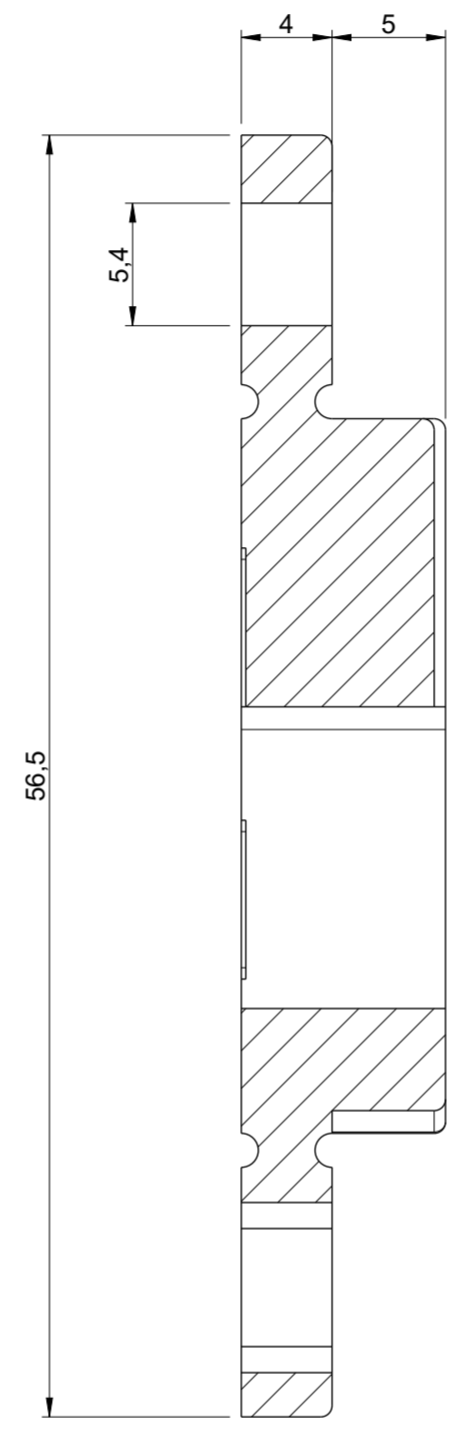
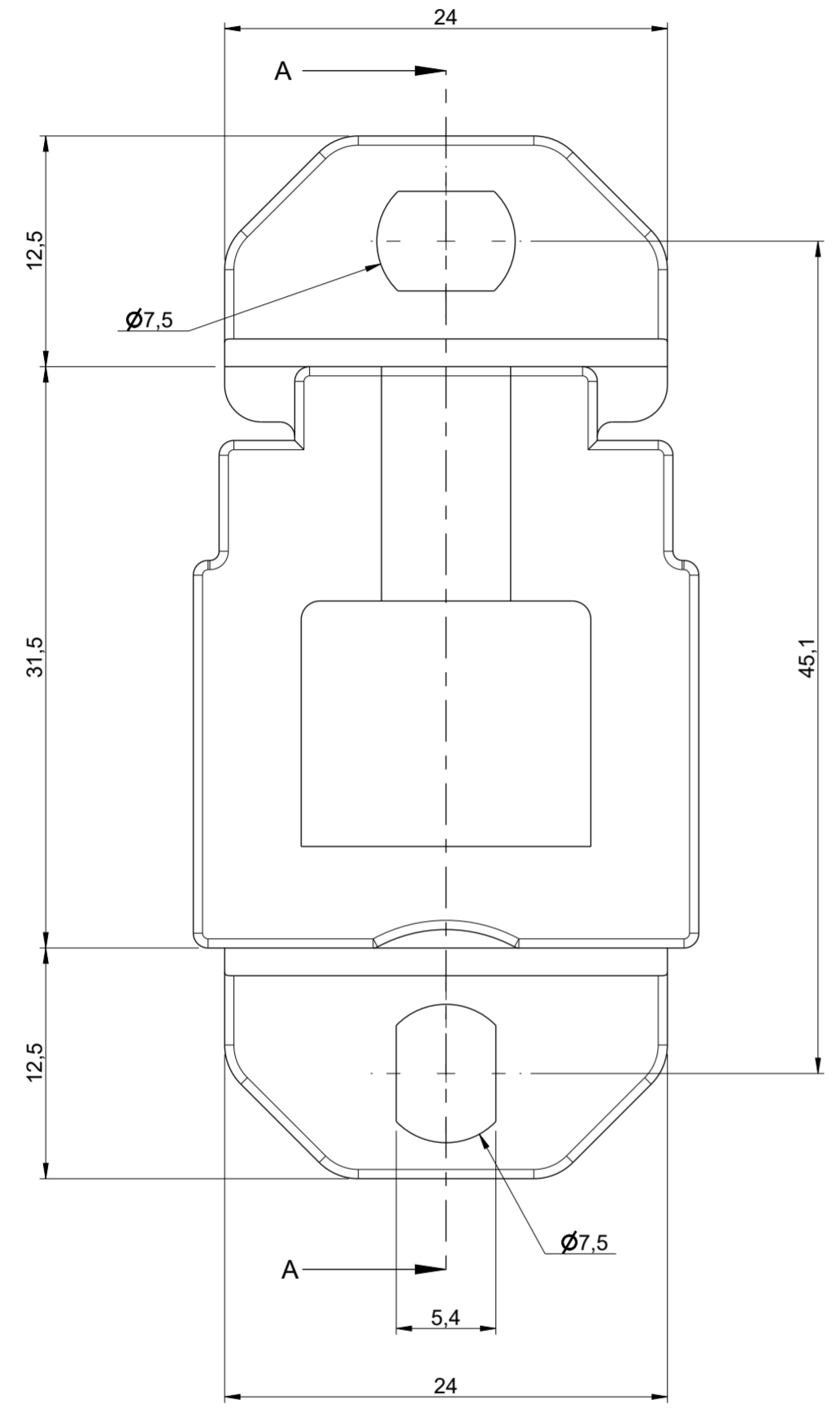
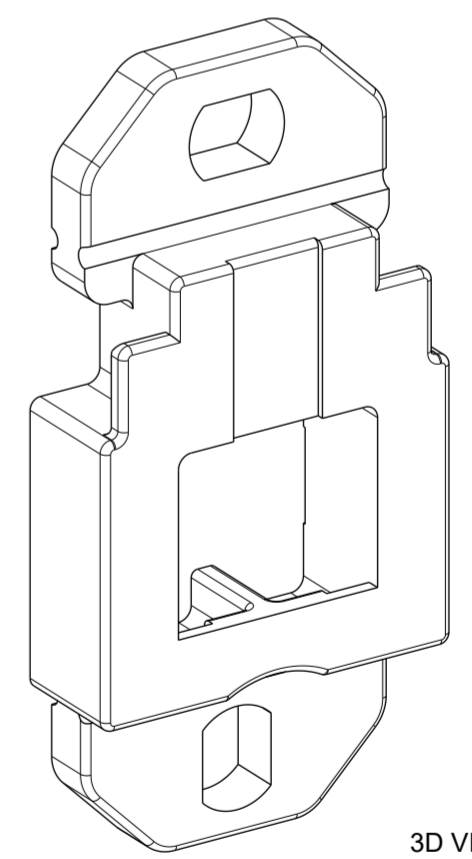
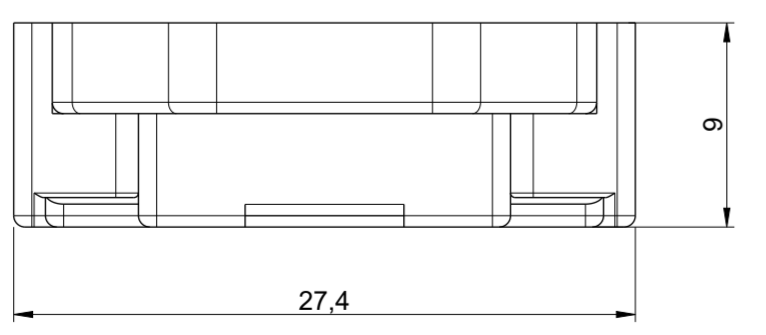


SPECIAL CHARACTERISTICS				
No.	AREA	VALUE	UP TO MTA	UP TO CUSTOMER
01	-	-	-	-

REVISION HISTORY			
REV.	DESCRIPTION	NAME	DATE
0	FIRST ISSUE	E.GOTTSFRITZ	05.09.22



SECTION A-A



3D VIEW / VISTA 3D

All proprietary rights reserved by MTA S.p.A. - This drawing shall not be reproduced, or in any way utilized, for the manufacture of the component or unit herein illustrated and must not be released to other parties, without written consent. Any infringement will be legally pursued.

MTA		MTA P/N	0300440	Denom.	FIXING PLATE WITH 2 SCREWS
Draw No.		B0-149.R01A	Used for	FUSEHOLDERS	
Draft date		05.09.22	Draw for	CUSTOMER	Material
Issued by		E.GOTTSFRITZ	Scale	2:1	Coating
Verified by		F.COELHO	CAD MODEL Weight(g)	~6	Lin.Tol.±
PQ Approval		A.BIFFI	0.5	1°	Colour
TD Approval		M.ROSSI	A2	Dimensions in (mm)	1/1
REV.		0	CAD Software PTC Creo		
PAPER COPY ONLY FOR REFERENCE CHECK LAST REVISION RELEASE ON ELECTRONIC VERSION					

RELEASED
23/09/2022