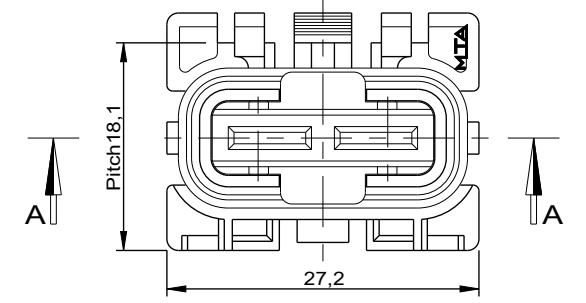
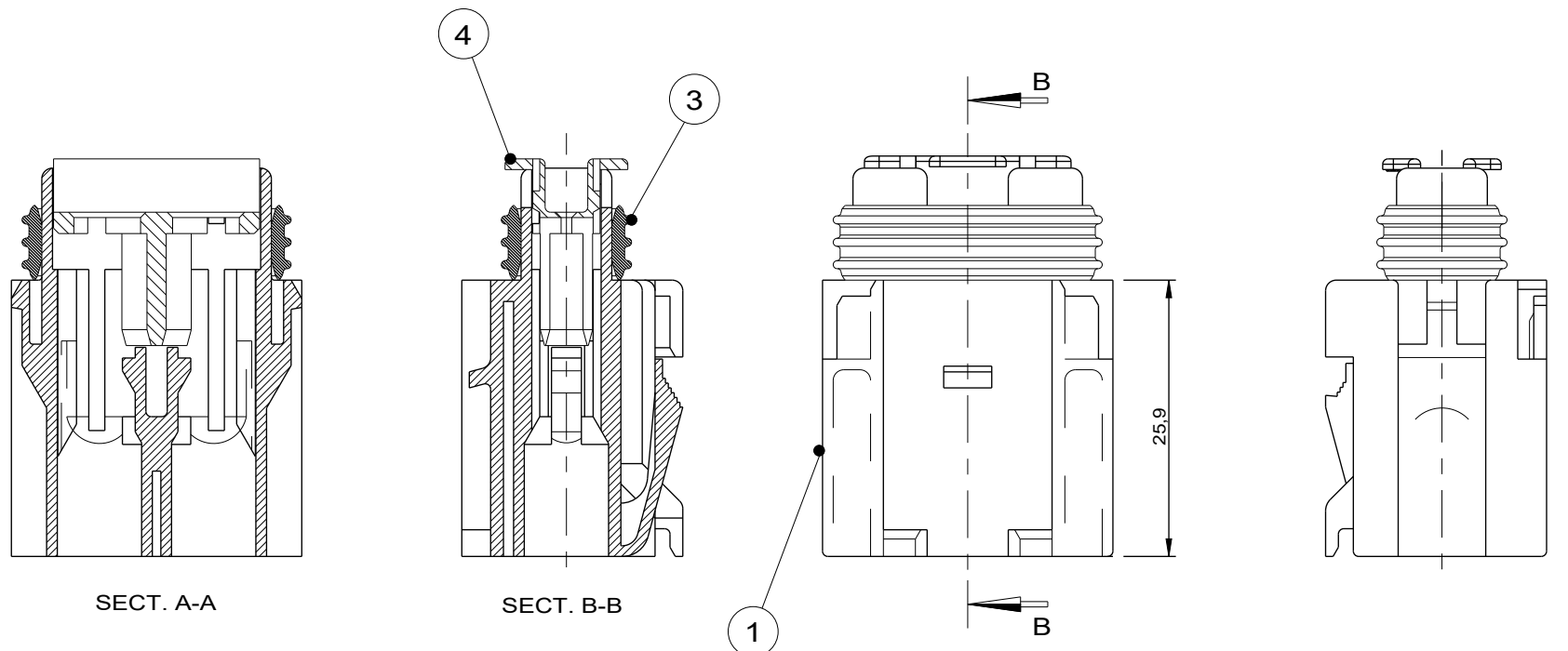
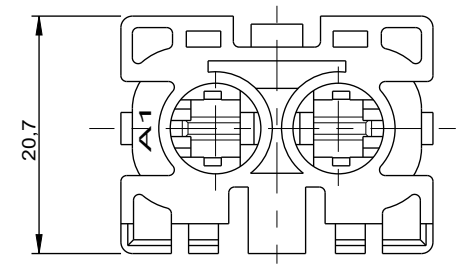
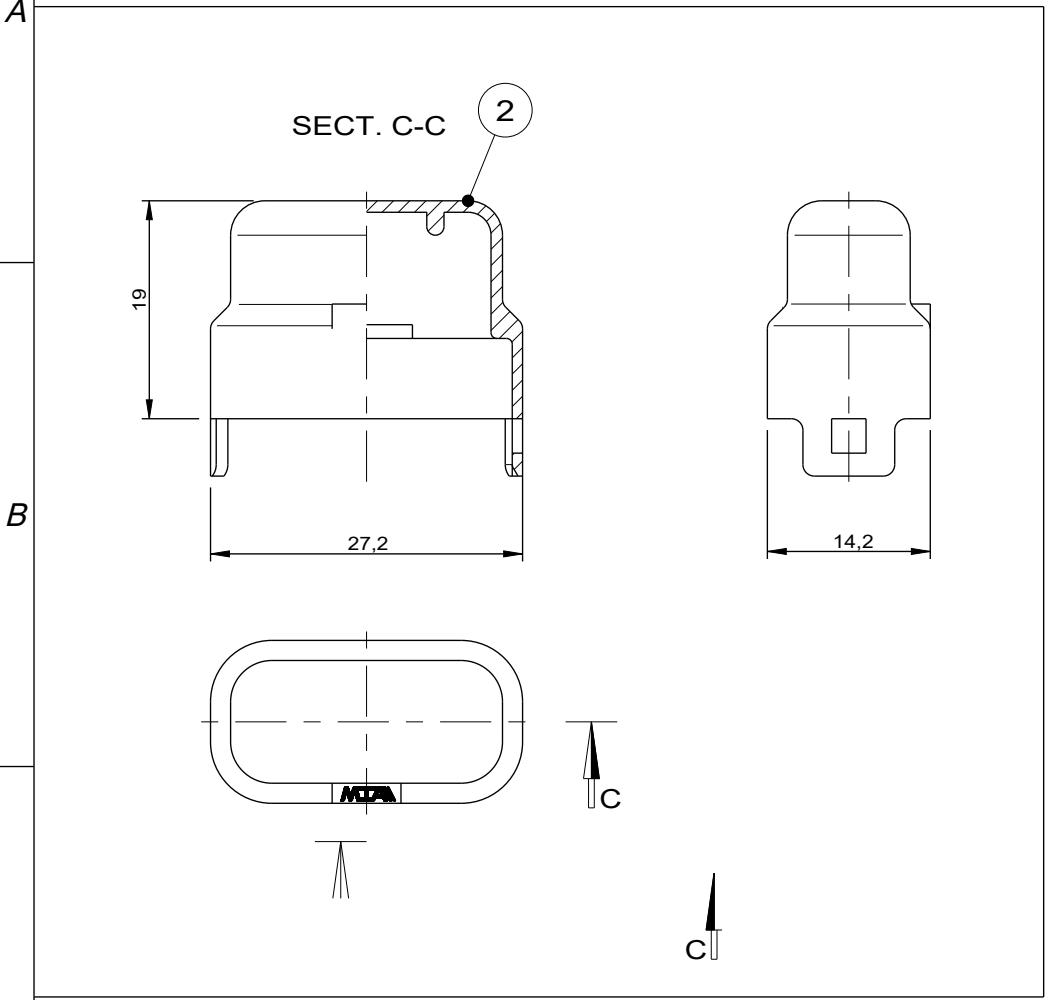


SPECIAL CHARACTERISTICS				
No.	AREA	VALUE	UP TO MTA	UP TO CUSTOMER
01	-	-	-	-

OPERATING FEATURES		
FEATURES	UNIT STANDARD	VALUE
V MAX	V	32
I MAX	A	21
TEMPERATURE RANGE	°C	-40°C / +120°C
IP	IEC 529	IP 33

REVISION HISTORY			
REV.	DESCRIPTION	NAME	DATE
0	FIRST ISSUE	S.BEDUSCHI	25.03.10
1	ADDED NEW PNS ACCORDING TO CUSTOMER REQUEST RMP 1100509-03	E.GOTTSFRITZ	28.09.22

-	0301301	BLACK	1A	-
A634 545 05 01KZ	0301305	BEIGE	5A	001
A664 545 01 01KZ	0301307	BROWN	7.5A	001
A664 545 02 01KZ	0301310	RED	10A	001
A664 545 03 01KZ	0301315	BLUE	15A	001
A664 545 04 01KZ	0301320	YELLOW	20A	001
A384 545 00 60 KZ	0301325	WHITE	25A	001
A384 545 01 60 KZ	0301330	GREEN	30A	001
MERCEDEZ-BENZ	MTA P/N	SEC. LOCK COLOR	FUSE	ZGS



4	1	SECONDARY LOCK	PBT GF 20 HB
3	1	GASKET	SILICON - BLUE COLOR
2	1	COVER	PA 66 HB - BLACK COLOR
1	1	HOUSING	PA 66 HB - BLACK COLOR

POS.	Q.TY	DENOMINATION	MATERIAL
		MTA	MTA P/N 0301305
		Draw No.	B0-001.016B
		Draw for	CUSTOMER
		Scale	2:1
		CAD MODEL Weight(g)	10
		Lin.Tol.±	0.5
		Ang.Tol.±	1°
		Dimensions in (mm)	1/1
		CAD Software PTC Creo	
		Denom.	FUSE HOLDER SPLASH PROOF
		Used for	UNIVAL
		Material	SEE TABLE
		Coating	-
		Colour	SEE TABLE
		Status	

REV. 1 PAPER COPY ONLY FOR REFERENCE CHECK LAST REVISION RELEASE ON ELECTRONIC VERSION

**RELEASED
30/09/2022**

All proprietary rights reserved by MTA S.p.A. - This drawing shall not be reproduced, or in any way utilized, for the manufacture of the component or unit herein illustrated and must not be released to other parties, without written consent. Any infringement will be legally pursued.