

Kabelschuhe (Schublade 1)

10 x 190314  	100 x D65378  	100 x D65385  	100 x D65392  	100 x D65408  
10 x UR2  	100 x VZ1816  	100 x VZ2118  	100 x VZ3128  	100 x VZ2623  
5 x 192628  	5 x 193642  	5 x 195653  	10 x 180325LMD  	10 x 180460LM  
100 x 150215  	100 x 150225  	100 x 240415N  	10 x 180105LM  	10 x 180215LMD  
100 x 150415  	100 x 150425  	25 x 111260  	10 x 221412  	10 x 221413  
100 x 140615  	100 x 140625  	50 x 111060  	100 x 240660L  	100 x 250660LE  
100 x 151615  	50 x 151625  	50 x 110860  	100 x 240625LE  	100 x 250625LE  
100 x 150615  	100 x 150625  	50 x 110660  	100 x 240615LE  	100 x 250615LE  
100 x 170415  	100 x 170525  	50 x 110560  	100 x 110815  	100 x 110825  
100 x 160415  	100 x 160525  	50 x 140660  	100 x 110615  	100 x 110625  
100 x 180215  	100 x 180325  	50 x 150660  	100 x 110515  	100 x 110525  
50 x 180215DU  	50 x 180325DU  	25 x 180460DU  	100 x 110415  	100 x 110425  

Steckverbindungen (Schublade 2)

3 x DTBL1  			1 x GDM3011/2  	1 x 4420931  
20 x 114017  		1 x 6917  		1 x 4410657  
1 x DT043PP007  	1 x DT062SY  	25 x 4407750  	1 x GM209/2  	1 x 75555  
1 x W3S  		50 x 4407740  		1 x 4410656  
1 x W3S1939  				
2 x W12P  	2 x W12S  	50 x 4407760  		1 x 75554  
2 x DT0412PA  	2 x DT0612SA  	3 x 4423710  	3 x 4423720  	1 x 4410655  
2 x W8P  	2 x W8S  	5 x 4423690  	5 x 4423700  	2 x 4420921  
2 x DT048PA  	2 x DT068SA  			
3 x W6P  	3 x W6S  	5 x 4423670  	5 x 4423680  	2 x 4420920  
3 x DT046P  	3 x DT066S  			
3 x W4P  	3 x W4S  	5 x 4423650  	5 x 4423660  	2 x 4420901  
3 x DT044P  	3 x DT064S  			
3 x W3P  	3 x W3S  	5 x 4423630  	5 x 4423640  	2 x 4420910  
3 x DT043P  	3 x DT063S  			
3 x W2P  	3 x W2S  	5 x 4423610  	5 x 4423620  	50 x 828904  
3 x DT042P  	3 x DT062S  			
50 x DTSKS  	50 x DTBKS  	100 x 1105550  	100 x 1105560  	50 x 251415UNAL  

Installationsmaterial (Schublade 3)

	1 x CP510 	4 x TEMFLEX/SZ 	5 x 281350 	10 x DA160 
			5 x 281135 	20 x DA120 
2 x RL700001 	100 x 192520 		5 x 280925 	20 x DA110 
2 x RL700004 			5 x 280816 	20 x DA100 
1 x 35401 		5 x 351025 	5 x 280810 	20 x DA55 
3 x 710280 	3 x 710270 	5 x 350825 	5 x 351250 	20 x DA50 
3 x 710260 	3 x 710250 	10 x 351216 	5 x 351050 	5 x 820/18 
10 x 710240 	10 x 710230 	10 x 351016 	5 x 350850 	5 x 820/15 
10 x 710220 	10 x 710210 	10 x 350816 	5 x 351235 	5 x 815/12 
10 x 710200 	10 x 710190 	10 x 351010 	5 x 351035 	5 x 812/10 
10 x 710180 	10 x 710170 	10 x 350810 	5 x 350835 	5 x 809/8 
10 x 710160 	10 x 710150 	10 x 350610 	5 x 351225 	5 x 809/6 

Sicherungen (Schublade 4)

<p>1 x L152001A</p>  			<p>5 x L445009</p>  	<p>5 x H7335</p>  
	<p>10 x 32x6.3/30A</p>  	<p>10 x 32x6.3/35A</p>  		
<p>10 x 32x6.3/10A</p>  	<p>10 x 32x6.3/15A</p>  	<p>10 x 32x6.3/20A</p>  		
<p>10 x 20x5/3A</p>  	<p>10 x 20x5/5A</p>  	<p>10 x 20x5/10A</p>  		
<p>10 x 20x5/0.630A</p>  	<p>10 x 20x5/1A</p>  	<p>10 x 20x5/1.25A</p>  	<p>5 x 133100IV</p>  	<p>5 x L153003</p>  
<p>100 x 133709</p>  	<p>100 x 133702</p>  	<p>100 x 133703</p>  	<p>100 x 133704</p>  	<p>5 x 133600M</p>  
<p>5 x ixMaxi70</p>  	<p>5 x ixMaxi80</p>  	<p>5 x ixMaxi100</p>  	<p>100 x 133700</p>  	<p>100 x 133701</p>  
<p>5 x ixMaxi20</p>  	<p>5 x ixMaxi30</p>  	<p>5 x ixMaxi40</p>  	<p>5 x ixMaxi50</p>  	<p>5 x ixMaxi60</p>  
<p>20 x ixMini10</p>  	<p>20 x ixMini15</p>  	<p>20 x ixMini20</p>  	<p>20 x ixMini25</p>  	<p>20 x ixMini30</p>  
<p>1 x T9000P</p>  	<p>1 x L97034</p>  	<p>20 x ixMini3</p>  	<p>20 x ixMini5</p>  	<p>20 x ixMini7.5</p>  
<p>50 x ixATO20</p>  	<p>50 x ixATO25</p>  	<p>50 x ixATO30</p>  	<p>50 x ixATO35</p>  	<p>50 x ixATO40</p>  
<p>50 x ixATO3</p>  	<p>50 x ixATO5</p>  	<p>50 x ixATO7.5</p>  	<p>50 x ixATO10</p>  	<p>50 x ixATO15</p>  

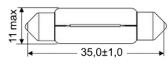

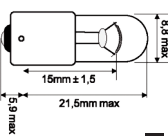

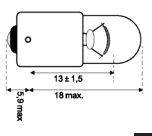

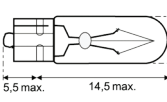

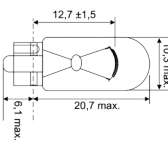

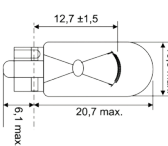

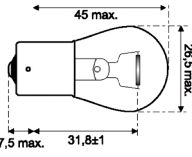

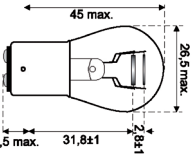

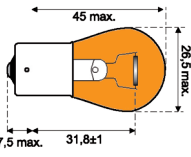

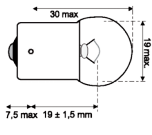

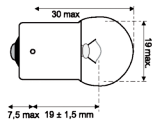

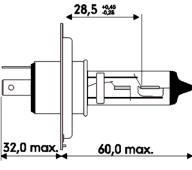

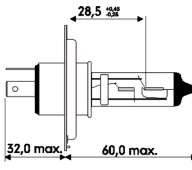

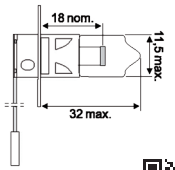

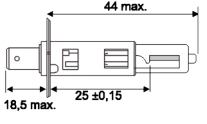

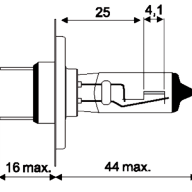

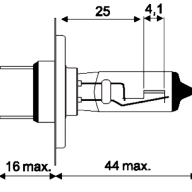

Batteriezubehör (Schublade 5)

<p>2 x 50047</p>  	<p>2 x 50048</p>  	<p>1 x 6613</p>  	<p>3 x 492040</p>  	
			<p>1 x 50191</p>  	<p>3 x 492041</p>  
<p>3 x 496P</p>  	<p>2 x 490054</p>  	<p>2 x 490056</p>  	<p>1 x 50045</p>  	<p>1 x 50046</p>  
<p>3 x 113302</p>  	<p>2 x 490053</p>  	<p>2 x 490055</p>  	<p>3 x 191P</p>  	<p>3 x 192N</p>  
<p>1 x A237A</p>  	<p>5 x 490080</p>  	<p>5 x 490081</p>  	<p>5 x 421P</p>  	<p>5 x 422N</p>  
<p>2 x SW102</p>  	<p>10 x 490051</p>  	<p>10 x 490052</p>  	<p>4 x 497761R</p>  	<p>4 x 497761S</p>  

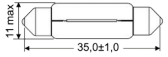

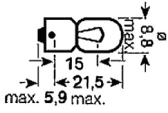

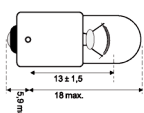

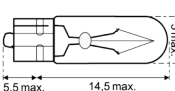

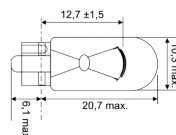

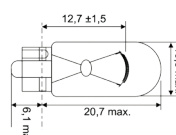

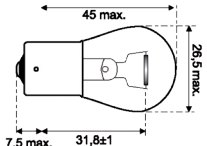

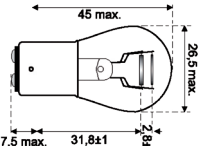

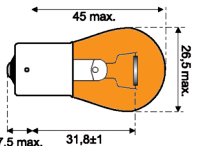

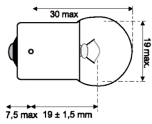

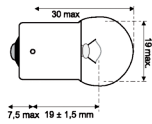

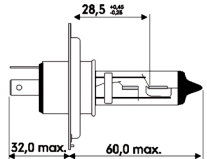

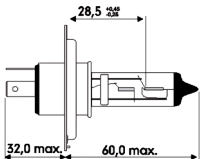

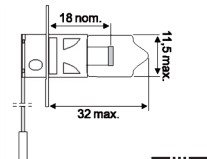

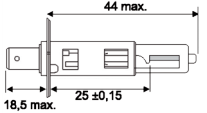

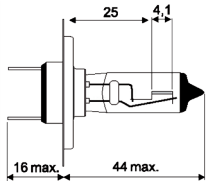

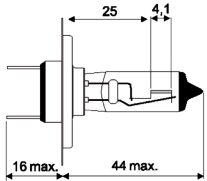

Deluxe Zusatz

<p>1 x SGFHalter4</p>  	<p>100 x SGF1.5rt</p>  <p>1.5mm²</p> 	<p>100 x SGF1.5bl</p>  <p>1.5mm²</p> 	<p>100 x SGF1.5sz</p>  <p>1.5mm²</p> 	<p>100 x SGF1.5ge</p>  <p>1.5mm²</p> 
<p>1 x SGFHalter4</p>  	<p>100 x SGF1.0rt</p>  <p>1.0mm²</p> 	<p>100 x SGF1.0ws</p>  <p>1.0mm²</p> 	<p>100 x SGF1.0sz</p>  <p>1.0mm²</p> 	<p>100 x SGF1.0br</p>  <p>1.0mm²</p> 
<p>1 x LM1839</p>  	<p>1 x LM2395</p>  	<p>1 x LM1512</p>  	<p>1 x LM1611</p>  	<p>1 x LM1835</p>  
<p>1 x BPF3141</p>  	<p>1 x LM7386</p>  	<p>1 x LM1599</p>  	<p>1 x LM1085</p>  	
<p>1 x DSG/MS</p>  		<p>1 x 600000WH</p>  		

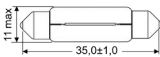

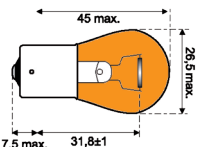

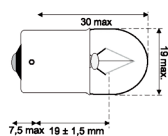

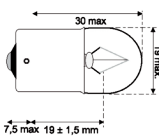

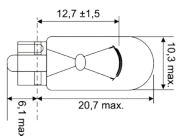

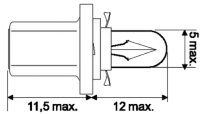

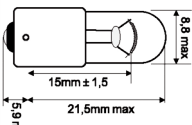

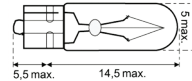

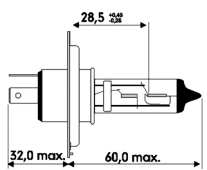

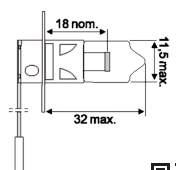

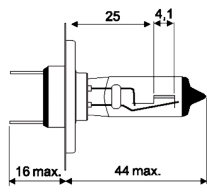

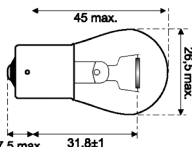

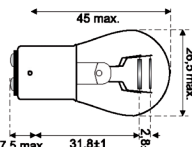

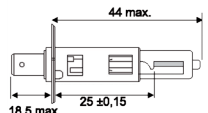

Glühlampen 12 V (Option)

<p>10 x 1711</p>  				
<p>10 x 1501</p>  	<p>10 x 1511</p>  	<p>10 x 1601</p>  	<p>10 x 1611</p>  	<p>10 x 1621</p>  
<p>10 x 1321</p>  	<p>10 x 1341</p>  	<p>10 x 1383</p>  	<p>10 x 1401</p>  	<p>10 x 1411</p>  
<p>4 x 1101</p>  	<p>4 x 1101</p>  	<p>4 x 1121</p>   <p>4 x 1111</p>  	<p>5 x 1117</p>  	<p>5 x 1117</p>  

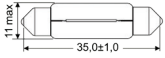

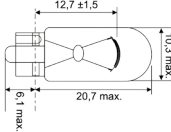

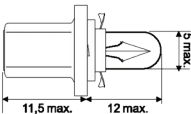

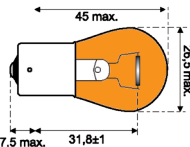

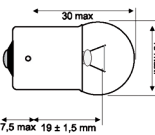

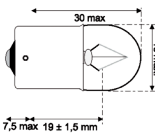

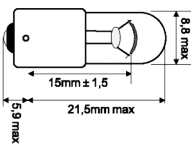

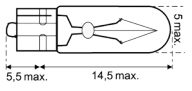

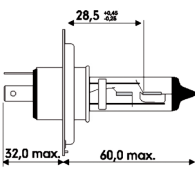

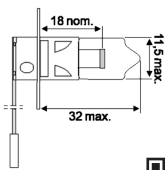

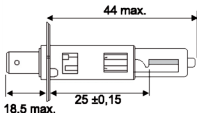

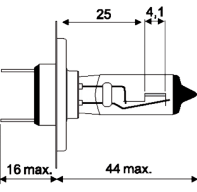

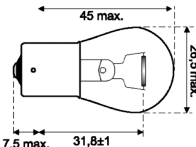

Glühlampen 12 V, Osram (Option)

<p>10 x 6418</p>  	<p>10 x 3893</p>  			
	<p>10 x 3796</p>  	<p>10 x 2721</p>  	<p>10 x 2821</p>  	<p>10 x 2825</p>  
<p>10 x 7506</p>  	<p>10 x 7528</p>  	<p>10 x 7507</p>  	<p>10 x 5007</p>  	<p>10 x 5008</p>  
<p>4 x 64193</p>  	<p>4 x 64193</p>  	<p>4 x 64151</p>   <p>4 x 64150ULT</p>  	<p>5 x 64210</p>  	<p>5 x 64210</p>  

Glühlampen 24 V (Option)

<p>10 x 1712</p>  				
<p>10 x 1393</p>  	<p>10 x 1406</p>  	<p>10 x 1416</p>  	<p>10 x 1622</p>  	<p>10 x 1662</p>  
			<p>10 x 1506HDLL</p>  	<p>10 x 1602</p>  
<p>4 x 1102HDLL</p>  	<p>4 x 1122</p>  	<p>4 x 1119</p>  	<p>5 x 1326</p>  	<p>5 x 1342</p>  
	<p>4 x 1112</p>  			

Glühlampen 24 V, Osram (Option)

<p>10 x 6423</p>  			<p>10 x 2845</p>  	<p>10 x 2741MF</p>  
<p>10 x 7510TSP</p>  	<p>10 x 5627</p>  	<p>10 x 5637</p>  	<p>10 x 3930</p>  	<p>10 x 2741</p>  
<p>4 x 64196TSP</p>  	<p>4 x 64156</p>   <p>4 x 64155</p>  	<p>4 x 64215</p>  	<p>5 x 7511TSP</p>  	<p>5 x 7537</p> 